

Patents, Designs, and Trade Marks

SUPPLEMENT

TO THE

NEW ZEALAND GAZETTE

OF

THURSDAY, MAY 4, 1911.

Published by Authority.

WELLINGTON, THURSDAY, MAY 4, 1911.

CONTENTS.

	Page
International and Intercolonial Arrangements for the Mutual Protection of Patents and Trade Marks ..	1509
Applications for Letters Patent filed ..	1510
Complete Specifications filed after Provisionals ..	1511
Complete Specifications accepted ..	1511
Provisional Specifications accepted ..	1516
Letters Patent sealed ..	1516
Letters Patent on which Fees have been paid ..	1516
Request for Correction of Clerical Error in Application for Letters Patent ..	1516
Applications for Letters Patent abandoned ..	1516
Application for Letters Patent void ..	1517
Applications for Letters Patent lapsed ..	1517
Letters Patent void ..	1517
Designs expired ..	1517
Applications for Trade Marks filed ..	1517
Applications for Registration of Trade Marks ..	1517
Trade Marks registered ..	1522
Trade Mark Renewal Fees paid ..	1522
Subsequent Proprietors of Trade Marks registered ..	1522
Trade Marks removed from the Register ..	1522
Applications for Trade Marks abandoned or refused ..	1523
Application for Trade Mark opposed ..	1523
Quarterly List of Inventors ..	1523
Quarterly List of Inventions ..	1532
Quarterly List of Applicants for Trade Marks ..	1539
Quarterly List of Applicants for Designs ..	1542

International and Intercolonial Arrangements for the Mutual Protection of Patents and Trade Marks.

INTERNATIONAL CONVENTION.

THE following countries now belong to the Convention :—

Australia.	Hungary.
Austria.	Italy.
Belgium.	Japan.
Brazil.	Mexico.
Ceylon.	New Zealand.
Cuba.	Norway.
Denmark and Faroe Islands.	Portugal, with the Azores and Madeira.
Dominican Republic.	Servia.
France, with Algeria and colonies.	Spain.
Germany.	Sweden.
Great Britain.	Switzerland.
Holland, with East Indian colonies, Curaçoa, and Surinam.*	Trinidad and Tobago.
	Tunis.
	United States of America.

* Trade marks only.

Separate arrangements have been made between Australia and New Zealand.

Particulars of the Convention and of such arrangements may be seen in the following *Gazettes* :—

Notification of adhesion of New Zealand to the Convention, with text thereof (in English), in the *Gazette* of 26th November, 1891; notification of adherence of New Zealand to the Additional Act of the Convention, in Patents Supplement to *Gazette* No. 101, of the 16th November, 1905; Order in Council applying section 103 of the Imperial Act to New Zealand, in *Gazette* No. 27, of the 15th May, 1890; Orders in Council containing arrangements between Australia and New Zealand, in Patent Supplements to the *Gazette* Nos. 22, of the 9th March, 1905, and 38, of the 20th April, 1905.

Applications for Letters Patent filed.

LIST of applications for Letters Patent filed. (Where a complete specification accompanies an application an asterisk is affixed; in all other cases a provisional specification has been lodged. In all cases where the applicant is not the inventor the name of the latter appears in italics in brackets. † Denotes an application under the International and Intercolonial Arrangements.)

Jeanneret, C. F., Leichhardt, N.S.W.	Concrete-wall construction* ; 29393 ; 12th April.
Lever, S., Sydney, N.S.W.	Shirt, &c., neck band* ; 29394 ; 4th July, 1910.†
Robinson, K. E., Maryborough, Vic. (<i>Robinson, W.</i>)	Mineral-disintegrator* ; 29395 ; 12th April.
Nicholas, W., Waimate, N.Z.	Hydraulic ram ; 29396 ; 11th April.
Armstrong, E. J., Hawera, N.Z.	Valve ; 29397 ; 13th April.
Armstrong, D. H., Hawera, N.Z.	Valve ; 29397 ; 13th April.
Eggleton, W., Bunnythorpe, N.Z.	Spanner* ; 29398 ; 13th April.
Hudson, A., Featherston, N.Z.	Flax-treatment* ; 29399 ; 13th April.
Smith, F. S., Featherston, N.Z.	Flax-treatment* ; 29399 ; 13th April.
Mays, F., Dunedin, N.Z.	Ladder-bracket ; 29400 ; 13th April.
Routley, M., Wellington, N.Z.	Tag, label, &c., forming and printing machine ; 29401 ; 13th April.
Routley, J., Wellington, N.Z.	Tag, label, &c., forming and printing machine ; 29401 ; 13th April.
Vaile, E. B., Auckland, N.Z.	Door-knob securing ; 29402 ; 13th April.
Bagnall, H. N., Auckland, N.Z.	Knife-powder, &c. ; 29403 ; 12th April.
McPherson, W., Woodend, N.Z.	Spark-arrester ; 29404 ; 12th April.
Watson, C. J., Dunedin, N.Z.	Delivery-book* ; 29405 ; 12th April.
Datson, J. C., Auckland, N.Z.	Dentrifice ; 29406 ; 13th April.
Owens, E. C., Williamstown, Vic.	Breeching-strap retention ; 29407 ; 13th April.
Henning Process Sugar Extraction Company, San Francisco, U.S.A. (<i>Henning, W.</i>)	Sugar-manufacture* ; 29408 ; 13th April.
Fraser, W. A., Melbourne, Vic. (<i>Beenie, A.</i>)	Animal-rug securing ; 29409 ; 19th April.
Stock, W. F. K., Darlington, Eng.	Fertilizer, &c.* ; 29410 ; 29th April, 1910.†
Van Wart, I. R., London, Eng.	Cattle-brand* ; 29411 ; 19th April.
Marino, P., London, Eng.	Electric-battery separator* ; 29412 ; 19th April.
Raymond, F. V., Invercargill, N.Z.	Flax-waste treatment ; 29413 ; 19th April.
Donisthorpe, E. S., London, Eng.	Synchronizing working of machinery* ; 29414 ; 19th April.
United Shoe Machinery Company, Paterson, U.S.A. (<i>McFeeley, R. F.</i>)	Removing surplus material from stock ; 29415 ; 20th April.
Shepperson, R. E., Enterprise, Queensland	Teat-cup* ; 29416 ; 20th April.
Watkins, Tye, and Tolan, Limited, Wellington, N.Z. (<i>Watkins, L. T.</i>)	Postal, &c., wrapper ; 29417 ; 20th April.
Hunter, J. T., Wellington, N.Z. (<i>Scammell, J. B.</i>)	Artificial rubber* ; 29418 ; 20th April.
Graaff, C., Berlin, Ger.	Fire-extinguisher* ; 29419 ; 21st April.
Eggleton, A. J., Ohakune, N.Z.	Timber-seasoning ; 29420 ; 19th April.
Williden, H. P., Dunedin, N.Z.	Carburetter* ; 29421 ; 19th April.
Robertson, R. W. D., New Plymouth, N.Z.	Teat-cup ; 29422 ; 21st April.
Carter, A., Tauranga, N.Z.	Pipe-coupling ; 29423 ; 22nd April.
Pierce, J., Dunedin, N.Z.	Kitchen-range ; 29424 ; 21st April.
Annand, J., Dunedin, N.Z.	Concrete-building ; 29425 ; 21st April.
Treloar, J., Hamilton, N.Z.	Milking-machine releaser ; 29426 ; 22nd April.
Armstrong, D. H., Hawera, N.Z.	Milking-machine milk-receiver, &c. ; 29427 ; 25th April.
Reid, A. W., Stratford, N.Z.	Teat-cup ; 29428 ; 25th April.
McGill, D., Petone, N.Z.	Flax-treatment ; 29429 ; 25th April.
McGill, D., Petone, N.Z.	Flax-treating apparatus ; 29430 ; 25th April.
Strawbridge, E. L., Palmerston North, N.Z.	Gate-hinge* ; 29431 ; 25th April.
Hughson, W., New Plymouth, N.Z.	Motor-wheel ; 29432 ; 25th April.
Hainsworth, A. J., Wellington, N.Z.	Water-heater ; 29433 ; 25th April.
Moody, S., Preston, Vic.	Cycle-handle-bar stem, &c.* ; 29434 ; 26th April.
Dallimore, J. T., Middle Park, Vic.	Closet-attachment* ; 29435 ; 31st May, 1910.†
Woolnough, A., Dunedin, N.Z. (<i>Crittall, F. H.</i>)	Metal sash-bar jointing* ; 29436 ; 26th April.
W. R. Sykes Interlocking Signal Company, Limited, Clapham, Eng.	Railway-signalling* ; 29437 ; 26th April.
Sykes, W. R., Clapham, Eng.	Railway-signalling* ; 29437 ; 26th April.
Tarrant, R. W., Clapham, Eng.	Railway-signalling* ; 29437 ; 26th April.
McKenzie and Holland, Limited, London, Eng.	Railway-signalling* ; 29437 ; 26th April.
Kennedy, H. C., Toronto, Can.	Wheel* ; 29438 ; 29th July, 1910.†
Shone, I., London, Eng.	Sewerage system* ; 29439 ; 30th April, 1910.†
Cheyne, W. H., Brentford, Eng.	Steam-hammer* ; 29440 ; 26th April.
Mewburn, G. R., London, Eng.	Steam-hammer* ; 29440 ; 26th April.
Davidson, J., Sydney, N.S.W.	Sheep-shear joint* ; 29441 ; 15th July, 1910.†
Rooke, F. W., Hawthorn, Vic.	Hairpin* ; 29442 ; 26th April.
Bristow, J. R., Carlton, Vic.	Hairpin* ; 29442 ; 26th April.
Parker, A. H. J., Christchurch, N.Z.	Music-leaf turner ; 29443 ; 25th April.
Nuttall, J. A., Marton, N.Z.	Washboard attachment* ; 29444 ; 26th April.
Birmingham Metal and Munitions Company, Limited, Birmingham, Eng.	Explosive-manufacture* ; 29445 ; 26th April.
Barker, J. H., Birmingham, Eng.	Explosive-manufacture* ; 29445 ; 26th April.
Galbraith, J., Waihi, N.Z.	Roller-skate ; 29446 ; 25th April.
Coppell, E. A., Takaka, N.Z.	Flitching-saw ; 29447 ; 27th April.
James, H. W., Inglewood, N.Z.	Milk-cooler, &c. ; 29448 ; 27th April.
United Shoe Machinery Company, Paterson, U.S.A. (<i>Lund, T.</i>)	Boot and shoe manufacture ; 29449 ; 27th April.
Baldwin, E. S., Wellington, N.Z. (<i>Guest, H. W.</i>)	Disc cultivator ; 29450 ; 27th April.
Auto Road Chart, Limited, Sydney, N.S.W. (<i>Taylor, H. J. C.</i>)	Vehicle-route chart* ; 29451 ; 27th April.
Raymond, F. V., Foxton, N.Z.	Flax-treating machine ; 29452 ; 27th April.
Rough, J. E., Foxton, N.Z.	Flax-treating machine ; 29452 ; 27th April.
Beere, W. O., Wellington, N.Z.	Flax-treating machine ; 29452 ; 27th April.
Elliott, E., Richmond, N.Z.	Gramophone ; 29453 ; 27th April.
Phelps, W. E., Invercargill, N.Z.	Gate-fastener ; 29454 ; 27th April.
Lister, M. J., Dunedin, N.Z.	Pick, crowbar, and rammer combined ; 29455 ; 22nd April.
Davis, A. V., Devonport, N.Z.	Railway-signal apparatus ; 29456 ; 25th April.

Complete Specifications filed after Provisionals.

LIST of complete specifications filed after provisional specifications from the 13th to 27th April, 1911, inclusive:—

No. 28074.—W. T. G. Pinches, building-construction. (W. Pinches.)

No. 28080.—H. H. C. Schulze, manure-distributor.

No. 28115.—W. Seifert, flax-catcher.

No. 28124.—United Shoe Machinery Company, shuttle-tension device. (J. L. Dow.)

No. 28125.—C. H. Fabian, skylight.

No. 28136.—F. Sutton, wire-coiler.

No. 28141.—J. C. May, valve, and valve-seat.

No. 28210.—A. M. Butterworth, core-mould.

No. 28218.—J. Trapski, plough.

No. 28278.—United Shoe Machinery Company, sole-trimming machine. (W. H. Borden.)

No. 28279.—United Shoe Machinery Company, boot-fastening inserter. (T. Briggs.)

No. 28280.—United Shoe Machinery Company, sole-levelling machine. (A. Bates, J. Gouldbourn, E. A. Credland.)

No. 28282.—United Shoe Machinery Company, boot-lasting machine. (E. E. Winkley.)

Notice of Acceptance of Complete Specifications.

Patent Office,
Wellington, 3rd May, 1911.

COMPLETE specifications relating to the undermentioned applications for Letters Patent have been accepted, and are open to public inspection at this office. Any person may, at any time within two months from the date of this *Gazette*, give me notice in writing of opposition to the grant of any such patent. Such notice must set forth the particular grounds of objection, and be in duplicate. A fee of 10s. is payable thereon.

The copies of claims and extracts from the specifications and drawings are merely intended to give some further indication of the invention than is disclosed in the title, and the complete specifications and drawings should be referred to for a description of the invention.

No. 27537.—11th April, 1910.—CHARLES JOHN GREEN, of Fairfax, New Zealand, Labourer. Improved means for extinguishing the sparks from locomotive and other boiler furnaces.*

Claim.—Means for extinguishing sparks from locomotive and other boiler furnaces, consisting in the combination with a pipe ring adapted to encircle the inside of the smoke-stack and formed with sprayer-nozzles at intervals around it, of an injector connected with the ring, and a water-tank connected with the injector, substantially as specified.

(Specification, 2s. 3d.)

No. 27567.—18th April, 1910.—THOMAS PARK, of Manaia Road, Kapuni, Taranaki, New Zealand, Engine-fitter. Improved acetylene-gas generator.*

Claims.—(1.) In acetylene-generators, the combination with a water-tank having a generating-chamber therein and a gas-holder fitting within the water-tank, of a water-admission valve in the chamber, a weighted lever actuating such valve

to normally close it, pivoted upon the chamber and provided with an extension beyond its pivot, and a rod depending from the gas-holder and adapted to engage with and depress the lever-extension when the holder is lowered and thus to raise the lever and open the valve, substantially as specified. (2.) The improved acetylene-gas generator constructed and operating substantially as described and explained.

(Specification, 3s. 6d.)

No. 27576.—18th April, 1910.—LEONARD FRANCOIS LAURENT, of New Plymouth, New Zealand, Farmer. Improvements in disc ploughs.*

Extracts from Specification.—Extending transversely across the top of the frame is a metal bar upon which a number of weights are supported in such a manner as to be capable of moving in either direction along the bar. These weights may thus be removed to either side of the frame so as to counteract any tendency for the plough to tilt or upset when working on a steep side. Means are provided for guiding the weights and for holding them at any point upon the bar to which they may be moved. . . . The whole framework of the plough is covered with a covering of expanded metal extending across its top and turned down its sides to form a protection for the various parts.

[NOTE.—The above extracts from the specification are inserted in place of the claims.]

(Specification, 5s.)

No. 27652.—26th April, 1910.—WILLIAM MORTON, of Dunedin, New Zealand, Mechanical Expert. Improvements in franking-machines.

Claims.—(1.) In a franking-machine, gripping-means for holding postal matter whilst being marked, substantially as described, and for the purposes set forth. (2.) In a franking-machine, the use of two or more colours in the inking-medium, substantially as and for the purposes set forth. (3.) In a franking-machine, the use of two or more rollers as an inking-medium, substantially as and for the purposes set forth. (4.) In a franking-machine, means for preventing the lithographic transfer of the marks made on the postal matter, substantially as described. (5.) In a franking-machine, the means for locking the same after a predetermined number of impressions have been made, substantially as described, and illustrated in Figs. 1, 2, 3, 4, and 5. (6.) In a franking-machine, the use of type-high enumerating-mechanism secured to the periphery of a wheel co-operating with a platen-roller, substantially as and for the purposes set forth. (7.) In a franking-machine, the use of two or more separately removable machines of the kind described, mounted alongside each other in a frame on a base plate, substantially as and for the purposes set forth. (8.) A franking-machine comprising a wheel on the periphery of which the marker is carried, a platen-roller on spring bearings co-operating with the wheel, means for inking the marker, and means for rotating the wheel, substantially as described.

[NOTE.—Here follow four other claims.]

(Specification, 7s.)

No. 27767.—24th May, 1910.—JAMES LEONARD, of Wellington, New Zealand, Land Agent. Improved apparatus for use in playing table-games.*

Extract from Specification.—The means designed consist of a table or board having preferably a raised edge around its upper end. Extending across the board at a convenient distance from its upper end is a barrier of a particular design that will be more fully referred to. This barrier extends from one edge of the board to within a short distance of the other edge, a clear passage therefore being left at one end of it. Fixed on the table in a line above this passage is a curved deflecting-board, so shaped and disposed as to be adapted to engage a ball or the like propelled through the passage and to deflect it to behind the barrier before mentioned.

[NOTE.—The above extract from the specification is inserted in place of the claims.]

(Specification, 4s. 3d.)

No. 27825.—4th June, 1910.—GEORGE WILLIAM KIRK MORLEY, of Christchurch, New Zealand, Company Manager (nominee of Mjolkningsmaskin Aktiebolaget, of Hornsberg, Stockholm, Sweden, assignee of Gustaf Dalen, of Stockholm, Sweden, Engineer). Improvements in milking-machine.*

Extract from Specification.—The invention consists in an improved construction of frame for carrying and operating these presser-pads and for their adjustment and attachment on the cow, in an improved construction of pulsator for alternately connecting the actuating-pistons with compressed air and atmospheric pressure, and in a construction and arrangement of inlet-valves for the pistons, designed to provide for the upper piston of each pad being first connected with the air-pressure and for the other piston then being connected so that the teats will be submitted to pressure first at their upper ends.

[NOTE.—The above extract from the specification is inserted in place of the claims.]

(Specification, 11s. 3d.)

No. 27888.—11th June, 1910.—GEORGE GRAY, of Reid and Gray, Dunedin, New Zealand, Engineer. Improvements in concave rollers for agricultural implements, and in scrapers therefor.*

Claims.—(1.) A concave roller having its outer or wearing surface chilled, substantially as and for the purpose set forth. (2.) A scraper for concave rollers formed of a series of teeth arranged side by side, substantially as described. (3.) A scraper for concave rollers formed of a series of curved spring teeth arranged side by side, the upper ends of said teeth being secured to a cross-piece extending above the roller and their other ends resting on the concave surface of the roller, substantially as described.

(Specification, 1s. 9d.)

No. 27890.—14th June, 1910.—JOHN HESP BURN, of 349 Jackson Street, Petone, New Zealand, Marine Engineer. An improved facing-up table for use in post-offices.*

Extract from Specification.—A conveyor-chute comprised of endless travelling belts adapted to convey the letters in a vertical position to the table, after which they are stacked and ready to be removed.

[NOTE.—The above extract from the specification is inserted in place of the claims.]

(Specification, 6s. 6d.)

No. 27912.—15th June, 1910.—JOSEPH BURNETT MOIR, of Invercargill, New Zealand, Tinsmith. Improved garden-roller.*

Claim.—A garden-roller comprising an outer cylindrical casing having an inner casing within it, the space between the casings being filled with concrete or the like, and means being provided within the inner casing for connecting a handle, substantially as described.

(Specification, 1s. 3d.)

No. 28054.—12th July, 1910.—JAMES DOUGALD McLAURIN, of Pohangina, Inventor, and ANDREW McLAURIN, of Marokopa, near Te Kuiti, New Zealand, Clerk. Improved tank or vat.*

Extract from Specification.—The invention consists in forming the tank or vat with a bottom sloping to one side, and in providing a sediment-chamber in the bottom at the lower end of the incline therein. This chamber is made of funnel shape, and is provided with a plug or other suitable valve by which an opening through its bottom may be opened when required. The valve is so constructed that it may be operated from the outside of the tank when it is required to empty the chamber.

[NOTE.—The above extract from the specification is inserted in place of the claims.]

(Specification, 4s.)

No. 28070.—14th July, 1910.—THOMAS TAYLOR, of Herbertville, New Zealand, Farmer. An improved hurdle.*

Claims.—(1.) The improved hurdle consisting of standards, and a hurdle-frame pivotally hung upon the standards in such a manner that the top of the frame will be capable of swinging backwards, substantially as and for the purposes specified. (2.) The improved hurdle constructed, arranged, and operating substantially as described and explained, and as illustrated in the drawings.

(Specification, 3s.)

No. 28080.—15th July, 1910.—HENRY HARTWIG CHRISTOPH SCHULZE, of Alton, in the Dominion of New Zealand, Farmer. An improved machine for distributing liquid manure.*

Extract from Specification.—The machine employed consists of a tank of special design that is mounted on wheels so as to be capable of being drawn about. This tank is provided with a cover to permit of its top being sealed when working, and it is adapted to be placed in such a position as to permit of the drainage from a cow yard or shed being led into it by gravitation. The manure to be distributed may, however, be placed in the tank in any other suitable manner.

[NOTE.—The above extract from the specification is inserted in place of the claims.]

(Specification, 5s. 9d.)

No. 28099.—18th July, 1910.—WILLIAM JAMES TINLINE, of Market Street, Hastings, New Zealand, Engineer. Improved devices for and mode of sharpening combs and cutters for clipping-machines.*

Extract from Specification.—I provide devices or substitute members attachable to the head, hand-piece, or tool of the machine carrying the parts to be sharpened; one device, because it takes the place of the comb and has some features of resemblance to it, is termed a "dummy comb," and another device is for corresponding reasons termed a "dummy cutter."

[NOTE.—The above extract from the specification is inserted in place of the claims.]

(Specification, 4s. 6d.)

No. 28110.—19th July, 1910.—UNITED SHOE MACHINERY COMPANY, of Paterson, in the State of New Jersey, United States of America, a corporation duly organized under the laws of said State of New Jersey, carrying on business as Shoe-machinery Manufacturers, and having a place of business at 205 Lincoln Street, Boston, in the Commonwealth of Massachusetts, in said United States of America (assignees of Erastus Edwin Winkley, of Lynn, Essex, and said Commonwealth of Massachusetts, Engineer, and Andrew Eppler, of said Lynn, Inventor). Improvements in or relating to channel-guide mechanisms for shoe-sewing machines.*

Claims.—(1.) For an inseam shoe-sewing machine, the combination with a channel-guide and means for feeding the work, of means arranged to move the guide into contact with the work at or substantially at the end of each feed-movement of the work. (2.) For an inseam shoe-sewing machine, the combination with a channel-guide and means for feeding the work, of means for moving the channel-guide towards and from the work, arranged to move the guide toward the work along a line approaching the needle and inclined to the direction of feed. (3.) For an inseam shoe-sewing machine, the combination with a feed-slide, means for actuating the slide, a feed-point and a channel-guide mounted on the feed-slide, and means for moving the feed-point toward and from the work, of means for moving the channel-guide toward and from the work, arranged to move the guide toward the work during the feeding movement of the slide. (4.) For an inseam shoe-sewing machine, the combination with a needle, a feed-point, a channel-guide on the opposite side of the feed-point from the needle, and means for moving the point towards and from the work and laterally to feed the work, of means for moving the channel-guide to

ward and from the work, arranged to move the guide into contact with the work after the work has been engaged by the feed-point. (5.) For an inseam shoe-sewing machine, the combination with a channel-guide that is adjustable transversely to the direction of feed of the work, of a movable gauge (for example, the arm 30) that can be moved by the operator into a definite position in proximity to the channel-guide so as to serve as an indicator when the operator is adjusting the said guide.

(Specification, 9s.)

No. 28124.—21st July, 1910.—UNITED SHOE MACHINERY COMPANY, of Paterson, in the State of New Jersey, United States of America, a corporation duly organized under the laws of said State of New Jersey, carrying on business as Shoe-machinery Manufacturers, and having a place of business at 205 Lincoln Street, Boston, Massachusetts, in said United States of America (assignees of John Locke Dow, of Melrose Highlands, Middlesex, Massachusetts aforesaid, Machinist). Improvements in or relating to shuttle-tension devices for lock-stitch sewing-machines.*

Claims.—(1.) A shuttle-tension device for sewing-machines having, in combination, a thread-supporting surface, a yielding thread-engaging member, and a yielding tension-adjusting member engaging the thread-engaging member and pressing it against the thread, the members being relatively adjustable at substantially right angles to the direction of pressure to change their point of engagement and vary the tension. (2.) A shuttle-tension device for sewing-machines having, in combination with a circular thread-case, a thread-engaging member extending about the periphery of the thread-case, and a tension-adjusting member also extending about the periphery of the thread-case and arranged to bear upon the thread-engaging member, said members being relatively adjustable about the periphery of the thread-case to vary the tension. (3.) A shuttle-tension device for sewing-machines having, in combination with a cylindrical thread-case having a peripheral groove, a thread-engaging member mounted in the groove, and a tension-adjusting member mounted in the groove and provided with a cam surface to bear on the thread-engaging member, with or without means for locking the tension-adjusting member in adjusted position.

[NOTE.—Here follow four other claims.]

(Specification, 6s. 9d.)

No. 28447.—15th September, 1910.—EDWARD RIFON SHIELD, of 116 Collins Street, Hobart, Tasmania, Australia, Fruit-grower. Improvements in and relating to apparatus for grading fruit and other like commodities.*

Extract from Specification.—The apparatus comprises a suitable frame in which is means for imparting rotary motion to a number of longitudinally disposed rollers or spindles arranged in pairs in such a manner that there will be a gradually widening interval between each member of a pair from the head towards the foot of the machine. Each member of a pair of rollers will, furthermore, rotate in a direction opposite to and away from the other, but not necessarily at the same rate of speed as its fellow. Arranged below the system of rollers is a canvas conveyor that is placed upon a number of transverse supports by means of which the canvas will be divided up into a convenient number of chutes.

[NOTE.—The above extract from the specification is inserted in place of the claims.]

(Specification, 6s. 9d.)

No. 28699.—3rd November, 1910.—HENRY ISMAY MORALEE ROSS, of 614 Castle Street, Dunedin, New Zealand, Heating and Ventilating Engineer. Improvements in double-current ventilation.*

Claims.—(1.) In an improved double-current system of ventilation including one or more apartments, the combination of a fresh-air inlet adapted to open automatically to admit air, a fresh-air inlet adapted to close automatically to oppose the exit of said air, and an automatic deflector for leading side currents into inlet-openings, with a foul-air outlet in communication with said inlets, similarly valved

to oppose the ingress of air, and means for short-circuiting and simultaneously controlling said currents of air, all substantially as shown on the drawings and as set forth. (2.) In an improved double-current system of ventilation including one or more apartments, the combination of a plurality of fresh-air inlets, fitted with valves to automatically admit fresh air and automatically close to oppose the exit of same, an automatic deflector, by-pass valves fitted with weights or springs to return same to normal positions, and fresh-air distributing-boxes fitted with perforated fronts, with a foul-air outlet, and means for simultaneous control of the currents, all substantially as set forth. (3.) In an improved system of double-current ventilation including the combination of fresh-air inlets, with foul-air outlets fitted with a plurality of louvred openings of peculiar construction for deflecting outside air-currents away from same, thus creating a vacuum within the cowls or ventilators, causing an exhaust action in said ventilator, and also fitted with inclined planes within said ventilators to prevent draught or leakage, and gutters for conducting water outside of roof, all substantially as set forth. (4.) In an improved double-current system of ventilation, the combination of a plurality of deflecting-planes for inducing a current of foul air, an annular chamber having valved openings for admitting fresh air and directing the same to said apartments, all substantially as set forth.

(Specification, 6s. 9d.)

No. 28910.—19th December, 1910.—ALBERT EDWARD YOUNG, Engineer, of Christchurch, New Zealand, and GEORGE GORDON HOLMES, Jun., Farmer, of Pigeon Bay, New Zealand. Lawn-mower attachment.*

Claims.—(1.) The combination with a lawn-mower having a pair of laterally disposed carrying-wheels, of an auxiliary carrying-attachment comprising, in combination, a bracket member, a carrying-wheel revolvably mounted thereon, and a clamping-device by means of which said bracket member may be secured upon the front bar of the mower and by means of which the lateral position of the device thereon and the vertical height of the said carrying-wheel may be adjusted, substantially as and for the purpose indicated.

[NOTE.—Here follow two other claims.]

(Specification, 3s. 3d.)

No. 28957.—6th January, 1911.—MJOLKNINGSMASKIN AKTIEBOLAGET, a corporation existing under the laws of Sweden, and having its place of business at Hornsberg, Stockholm, Sweden, Manufacturers (assignees of Gustaf Dalen, Henrik von Celsing, and Magnus Storm, all of Hornsberg, aforesaid). Improvements in milking-machines.

Claims.—(1.) In milking-machines of the class described, a distributing-device for the air under pressure acting on the pistons connected with the reciprocating-plate and causing the forward motion of same, characterized by a cylindrical receptacle connected with the air-pressure conduit and communicating with the upper-pressure cylinder, and of a smaller cylinder in the said receptacle, communicating with the lower-pressure cylinder, whereby the air is admitted from the first cylinder to the second cylinder through an adjustable bullet valve, substantially as described. (2.) In milking-machines of the class described, an apparatus for automatically imparting a pulsatory motion alternately in opposite directions to the pressure-fluid flowing in constant direction from the pressure-tank through a conduit connected with the milking-apparatus, said pulsating-apparatus being inserted in the said conduit and comprising a movable block or body placed between the two connecting parts of the conduit and acting as a valve, which in one position places the two conduits in free communication, and in another position closes this communication and places the conduit in which the pulsatory motion is to be established in communication with an outlet-conduit, said block or body being moved in one direction by spring action and in the other direction by means of a piston or membrane influenced by the pressure in the conduit containing the pulsating-fluid. (3.) In milking-machines provided with a pulsating-apparatus as set forth in claim 2, the improvement that the block or body is retained in its end positions by aid of magnetic action, for the purpose of insuring it being suddenly carried over from the one to the other position.

(Specification, 8s. 9d.)

No. 29153.—21st February, 1911.—LEVIN AND CO., LIMITED, of Customhouse Quay, Wellington, New Zealand, Merchants (the assignees of Alexander Gilbert Hutchinson, of care of the above company, Sheep-shearing Machine Expert). Improvements relating to sheep-shearing machines.

Extract from Specification.—According hereto, the usual tail-piece that screws into the tail of the shear-socket is provided with an internally screwed portion at or near its forward end, while the remainder of the inner periphery of said tail-piece is left smooth and parallel and preferably of slightly larger diameter than the screwed portion. The bush, instead of being threaded externally throughout its entire length as hitherto, has a thread provided upon its end corresponding to the length of the internal thread in the forward end of the tail-piece. The remainder of the external diameter of said bush is turned to correspond to the same diameter as the internal diameter of the inner plain portion (mentioned above) of the tail-piece. The length, however, of this plain parallel portion is comparatively large in respect to the length of the threaded portion thereon. A shoulder is provided upon the bush to bear accurately upon the end of the tail-piece.

[NOTE.—The above extract from the specification is inserted in place of the claims.]

(Specification, 3s. 9d.)

No. 29222.—6th March, 1911.—HENRY McDONALD, of Putaruru, Auckland, New Zealand, Engineer. Improved means of locking nuts on bolts.

Extract from Specification.—According hereto, the bolt has a cylindrical hole at right angles to its axis, in which slides a pin which, when the nut has been screwed up to the required extent, takes into a recess in the nut and thereby prevents it from coming unscrewed. The pin may be projected and retained in its projected position by a bent spring which is passed into a recess in the nut and at its end bears against the end of the pin.

[NOTE.—The above extract from the specification is inserted in place of the claims.]

(Specification, 1s. 9d.)

No. 29226.—7th March, 1911.—WEST DISINFECTING COMPANY, a corporation organized under the laws of the State of New York, having its principal business office at No. 2 East 42nd Street, Manhattan, New York, United States of America, Manufacturing Chemists (assignees of Moses Mitteldorfer Marcuse, of Manhattan aforesaid, Manufacturing Chemist). Improvements in liquid-dispensing devices.

Claim.—A liquid-dispensing vessel, its bracket, a suitable support for the bracket, all combined with one or more of the following elements, to wit: (a) Means for fastening the bracket to the support, and a guard on the bracket for concealing the bracket-fastening means; (b) a screw carried by the bracket arranged to be brought into engagement with the nozzle of the vessel for locking the vessel to the bracket against movement with respect thereto; (c) an independent air-vent for the vessel; (d) a removable dispensing-nozzle for the vessel, and a loose sleeve surrounding the nozzle for preventing its removal by any ordinary tool; (e) means for operating the vessel by foot as well as by hand; (f) the novel arrangement whereby the weighted plunger, for positively ejecting the liquid through the nozzle when the vessel is inverted, is locked against removal from the support on which it slides; and (g) a split supporting-band surrounding the vessel and having pivots for engaging the bracket to pivot the vessel thereto, the meeting ends of the supporting-band being secured together by a concealed screw.

(Specification, 6s. 6d.)

No. 29236.—9th March, 1911.—GEORGE SCARFE, of Napier, Hawke's Bay, New Zealand, Bookseller. An improved necktie-frame.

Claims.—(1.) A necktie-frame formed of a single length of spring wire doubled over at its middle to form a bayonet-joint slot adapted to pass over the collar-stud, and with its two ends curved outwards from each other and bent backwards from the slot, in order to form arms adapted to fit within the fold of the collar on the respective sides of the stud, substantially as specified. (2.) The improved necktie-frame constructed substantially as described and explained, and as illustrated in the drawings.

(Specification, 2s. 3d.)

No. 29242.—9th March, 1911.—ARTHUR TEMPLE FIRTH, Metallurgist, HERBERT AUGUST MACDONALD MOSSE, Manufacturer, LOGAN SMITH DONALD, Manufacturer, and CECIL EDWARD LE CLAR MOSSE, Clerk, all of Auckland, New Zealand. Improved means of opening envelopes.

Extract from Specification.—Providing the envelope with its own means of opening by inserting in same, before closing, a card or piece of any suitable material of sufficient stiffness to cut open the envelope on the card being withdrawn.

[NOTE.—The above extract from the specification is inserted in place of the claims.]

(Specification, 2s. 3d.)

No. 29245.—8th March, 1911.—WILLIAM BENNET, of Mornington, Dunedin, New Zealand, Bootmaker. Improved renewable laced soles and renewable and interchangeable heels for boots and shoes.

Extract from Specification.—I make the whole boot in the usual manner, all except that the middle sole only is secured permanently to the upper, and the heels are only made to part of the height required. The middle sole or welt is formed to project slightly beyond the upper, and is furnished with a row of sewing-holes, preferably lined with eyelets, and the outer sole is grooved in any well-known manner as for sewn soles, and furnished with holes registering with those in the welt or middle sole. The end is provided with a spring to insure its being tight to the boot. The soles are then laced together, and are of the most pliable construction. The heel is furnished with a bent slide, to which the lifts are fitted and slid in, when a clip-stud secures them.

[NOTE.—The above extract from the specification is inserted in place of the claims.]

(Specification, 2s.)

No. 29249.—13th March, 1911.—ALFRED CRAIG FERGUSON and ALEXANDER STEVENSON, Mechanical Engineers, of Cornhill Street, Wellington, New Zealand. Tube or pipe cutter for stone.

Claim.—A tube or pipe cutter of the kind described, consisting of an outer tube with slots and cutters, and inner spiral cutter, and a boss or hub, all substantially as described in specification and illustrated in drawings; a tube or pipe cutter as described, and illustrated in the drawings.

(Specification, 1s. 3d.)

No. 29250.—11th March, 1911.—JOHN PRATT ANDREWS, of Waikuku, Canterbury, New Zealand, Twine-manufacturer. Improvement in twine-winding machines.

Claims.—(1.) In a device of the class described, and for the purpose indicated, means whereby the increasing diameter of the twine-ball will automatically operate the clutch-lever. (2.) In a device of the class described, the employment of a slidable rod maintained in contact with the twine-ball by means of a spring and adapted to operate the clutch-lever by the increasing diameter of the ball, substantially as described and shown, and for the purpose indicated.

(Specification, 2s.)

No. 29260.—17th March, 1910.†—ARTHUR MARSHALL McINTOSH, of 157 Macquarie Street, Sydney, New South Wales, Australia, Dentist. Improvements in aeroplanes.

Extract from Specification.—In this invention there are several improvements relating to the wings and rudder of an aeroplane. The first improvement consists in making each wing of the aeroplane in two longitudinal convex arcs. The second improvement consists in turning the front edge of each wing upwards for a quarter or more of the length of the front edge of the wing, the turned-up part being the most remote from the car. The third improvement consists in scalloping the extreme end of each wing, thus forming a kind of terminal wing-pinions with air-spaces between the pinions. The fourth improvement consists in providing a small auxiliary wing at or near the centre of the front edge of each wing. This auxiliary wing may be manipulated from

the car by a series of wires or rods. The auxiliary wing is adapted to be thrust out in front of the main wing. The fifth improvement consists in splitting the back edge of the main wing whereby the back edge of the wing may be rendered more flexible, thereby conducing to the more perfect flight of the aeroplane. The sixth improvement consists in dispensing with the perpendicular rudder and adopting a horizontal kite-shaped rudder of special design.

[NOTE.—The above extract from the specification is inserted in place of the claims.]

(Specification, 7s. 9d.)

No. 29263.—15th March, 1911.—HERBERT EDWARD CANE, of Alma Road, Caulfield, Tallow-merchant and Commission Agent, and JOHN SCARVILLE HEWISH, of Prentice Street, East St. Kilda, Canvasser, both of Victoria, Australia. Improvements in handled supports and slings for kerosene tins, cases, and otherwise.

Claims.—(1.) In a device of the indicated kind, a band having pivoted straps, in combination with at each side a slotted connecting-plate, which may be raised or lowered relatively to the band, links pivoted to the plates and straps, and a handle or sling-member pivoted or attached to said plates. (2.) In a device of the indicated kind, a band having pivoted straps, and stops to limit the closing-motion of the straps, in combination with a handle or upper member adapted to move the straps into opened or closed position by the connections set forth. (3.) In a device of the indicated kind, the combination of parts as a whole forming a detachable holder, as illustrated in Fig. 1, with or without parts as *x* and *z*.

(Specification, 4s. 3d.)

No. 29272.—15th March, 1911.—THOMAS FLINTOFF, of High Street, Fremantle, Western Australia, Australia, Dentist. Self-balanced window-sash operative by rack and pinion.

Claim.—A door or window-sash as *a*, fitted with toothed racks *d*, and with toothed gearing-wheels *e* in operative engagement with said racks *d*, and with vertically slidable racks *f*, which latter maintain the sash *a* at any point in a balanced state of equipoise, said sash and racks *d* and *f* working in guides and grooves *g* built into the sash-frame, as set forth, and as shown in the drawings.

(Specification, 2s.)

No. 29313.—23rd March, 1911.—FREDERICK ARTHUR ALCOCK, of No. 155 Elizabeth Street, Melbourne, Victoria, Australia, Manufacturer. Improved means for supporting cushions for billiard-tables.

Claims.—(1.) In a cushion-rail for billiard-tables, a spring plate having the rubber cushion secured on its inner face, said plate being secured at its lower part to the wooden rail, substantially as described and shown. (2.) A cushion-rail composed of a rubber cushion A, a spring plate B, a wood rail C, a gap *c* in said wood rail to give freedom to the spring plate, all surrounded by a suitable cloth held and secured substantially as described and shown.

(Specification, 1s. 9d.)

No. 29330.—28th March, 1911.—PERCY GEIKIE DONALD and BRUCE ISAAC DONALD, Directors of Rowson, Drew, and Clydesdale, Limited, of 225 Upper Thames Street, London E.C., England. Improvements in or relating to elevators and conveyors.

Extract from Specification.—With these ends in view the improvements comprise, firstly, a pair of parallel endless chains, belts, or ropes, with carriers arranged transversely between them, and having two hanging legs or loops; secondly, a beam or girder for carrying all the conveying-mechanism and adapted to contain the whole of the conveying-tackle when not in use, such girder being conveniently lifted into and out of position by sling-chains and a derrick; thirdly, means for retaining the chains to facilitate the stowing of the conveying-tackle within the girder, or to enable additional lengths of chain to be added if desired; fourthly, a discharge-frame for

guiding the chains on the delivery-side and for carrying a plate or roller or other form of stop, such frame being either suspended from the girder or connected with the quay or other place of delivery; fifthly, adjustably suspended weights, which may be termed anchor-weights, holding down the two hanging legs or loops of the endless chains; sixthly, a compensation bight in the endless chains and a weight in the same to automatically take up the slack in the chains and allow for the rise and fall of the vessel and tide.

[NOTE.—The above extract from the specification is inserted in place of the claims.]

(Specification, 9s. 6d.)

No. 29331.—28th March, 1911.—ELIZABETH THAETER, of 263 Oxford Street, Paddington, New South Wales, Australia, Married Woman. An improved washing-board.

Extract from Specification.—According to this invention, a washboard is made having upon one face a rubbing-surface of corrugated metal and upon the other face a mat of fine coconut-fibre.

[NOTE.—The above extract from the specification is inserted in place of the claims.]

(Specification, 1s. 3d.)

No. 29341.—12th May, 1910.†—ARTHUR REGINALD ANGUS, of Spit Road, Mosman, New South Wales, Australia, Solicitor. Improvements in or relating to railway safe running-device.

Claims.—(1.) In a system relating to railway safe running-devices, a method or means characterized by the use of factors of safety so adapted that a train may automatically close and open a railway section, for the purposes set forth, substantially as described and explained, and as illustrated in the drawings. (2.) In a system relating to railway safe running-devices, a method or means by which railway sections are automatically electrically interlocked, substantially as and for the purposes set forth. (3.) A method or means for protecting railway-trains approaching or following one another on the same railway-track from collision wherein an electrical generator placed on a train is adapted on the passage of the train over ramp-contacts placed on the railway-track to automatically close the section on which the said train is running, so that on the passage of any other adapted train over some of the said ramp-contacts on the said section visual and audible signals will be first given in or on the last-mentioned train, and then on the passage of the last-mentioned train over other of the said ramp-contacts on the said section the last-mentioned train will be automatically stopped, substantially as described and explained, and as illustrated in the drawings. (4.) In a system relating to railway safe running-devices, a method or means by which a train adapted with a generator on passing over ramp-contacts on the railway-track may automatically effect an electrical balance, for the purposes set forth, substantially as described and explained, and as illustrated in the drawings. (5.) In a system relating to railway safe running-devices, a method or means by which the safe running of railway-trains along a section is insured against the risk of short-circuit, breakage of conductors, or the failure of current to flow as required, for the purposes set forth, substantially as described and explained, and as illustrated in the drawings. (6.) In a system relating to railway safe running-devices, a method or means by which a train adapted with generators on the train may on running along an unoccupied section receive a visual and an audible intimation that the section is unoccupied, substantially as and for the purposes set forth. (7.) In a system relating to railway safe running-devices, a method or means characterized by the use of a controller by the operation of which an adapted train is protected against collision with other trains, substantially as set forth.

[NOTE.—Here follow twenty-five other claims.]

(Specification, £2 4s. 6d.)

No. 29362.—4th April, 1911.—CHARLES LAUT, of Gulgong, New South Wales, Australia, Miner. Puncture-stop.

Extract from Specification.—The proportions are they that give the most satisfactory results, and are mixed together to a consistency resembling cream or well-mixed paint. To use the composition about 3 oz. to 5 oz. are inserted into air-tube (according to size of tube) by means of a pump or funnel. The composition remains in a liquid or semi-liquid state in the

tube, and when wheel is rotated completely coats inside of such tube, and immediately a hole is made the composition is forced by air-pressure into the hole, forming a kind of rivet by coming into contact with the outer cover, thus effectually preventing escape of air. This composition also preserves tubes by providing the necessary moisture essential to the preservation of rubber.

[NOTE.—The above extract from the specification is inserted in place of the claims.]

(Specification, 1s. 3d.)

Copies of drawings may be obtained at the uniform price of 1s. each. In exceptional cases this price may be increased at the discretion of the Office.

An asterisk (*) denotes the complete specification of an invention for which a provisional specification has been already lodged. A dagger (†) denotes a prior date under the International and Intercolonial Arrangements.

NOTE.—The cost of copying the specification has been invented after the notice of each application. An order for a copy or copies should be accompanied by a post-office order or postal note for the cost of copying.

The date of acceptance of each application is given after the number.

Extracts from the drawings accompanying the foregoing complete specifications appear at the end of this *Gazette*.

J. C. LEWIS,
Registrar.

Provisional Specifications accepted.

Patent Office,
Wellington, 27th April, 1911.

APPLICATIONS for Letters Patent, with provisional specifications, have been accepted as under:—

- No. 27537.—C. J. Green, spark-arrester.
- No. 27567.—T. Park, acetylene-generator.
- No. 29172.—A. J. Thomson and V. Phelan, sunken-vessel locator.
- No. 29251.—W. C. S. Clydesdale, window-sash hanging.
- No. 29252.—C. Johanson, candle-extinguisher.
- No. 29254.—W. Steer, leather-waterproofing composition.
- No. 29261.—W. G. Joy, flax-crusher.
- No. 29303.—T. Branton, flax-scraper.
- No. 29336.—A. Spicer, telephone antiseptic cap.
- No. 29338.—A. Juriss, train-stop.
- No. 29361.—F. Gough, medicine.
- No. 29369.—W. H. Denton, horse-leg protector.

[NOTE.—Provisional specifications cannot be inspected, or their contents made known by this office in any way, until the complete specifications in connection therewith have been accepted.]

Letters Patent sealed.

LIST of Letters Patent sealed from the 6th to the 15th April, 1911, inclusive:—

- No. 26510.—F. A. and A. P. Fischer, franking-machine.
- No. 27006.—G. E. Collins, table, &c., folding leg. (E. Bedwell.)
- No. 27243.—T. Stevenson and T. Falconer, sharpening chaff-cutter knives.
- No. 27337.—Ridd Milking Machine Company, pulsator. (A. Ridd.)
- No. 27496.—S. H. Shepherd, window-catch. (G. M. Robb and H. B. Skerthly.)
- No. 28011.—H. W. Bland and J. Young, brazing, &c., tool.
- No. 28201.—F. B. Gladman, copyists indicator.
- No. 28969.—R. Connell, tire-inflator.

Letters Patent on which Fees have been paid.

[NOTE.—The dates are those of the payments.]

SECOND-TERM FEES.

- NO. 22562.—G. Hutchinson, seed-sower. 20th April.
- No. 22704.—C. Uddstrom, locomotive driving. 13th April.
- No. 22706.—G. Hutchinson, seed-sower. 20th April.
- No. 22722.—G. Hutchinson, seed-sower. 20th April.
- No. 22727.—H. B. Murphy, flax-degumming solution. 25th April.
- No. 22744.—M. Woods and T. J. Gilbert, rail-treating machine. 20th April.
- No. 22775.—E. Hayes, lever apparatus. 25th April.
- No. 22801.—W. E. Hughes, carburetter. (L. B. de Laitte.) 22nd April.
- No. 22881.—N.Z. Hemp Process and By-Products Company, Limited, flax washer and dryer. (W. G. Richardson and M. H. Scott.) 21st April.
- No. 22907.—N.Z. Hemp Process and By-Products Company, Limited, flax-waste as cattle-food. (W. G. Richardson.) 21st April.
- No. 22939.—A. Gillies, teat-cup pulsating. 18th April.
- No. 23080.—Saxton and Binns, Limited, wood-house construction. (J. O. Morgan.) 21st April.
- No. 24240.—T. Aitken, distributing liquids on roads. 25th April.

THIRD-TERM FEES.

- No. 17806.—A. Werner, W. G. Breach, and J. Fussell, electric-belt tension regulator. 18th April.
- No. 17867.—J. Ramage, acetylene-generator. 27th April.

Request for Correction of Clerical Error in Application for Letters Patent.

NO. 28099.—W. Tinline. Sharpening cutters of clipping-machines. (Advertised in Supplement to *New Zealand Gazette*, No. 80, of 25th August, 1910.)
To alter the name from "William Tinline" to "William James Tinline.")

Applications for Letters Patent abandoned.

LIST of applications, with which provisional specifications only have been filed, abandoned (*i.e.*, complete specifications not lodged) from the 13th to the 27th April, 1911, inclusive:—

- No. 27248.—C. Vowell, liquid-level indicator.
- No. 27530.—R. Chambers, device for teaching swimming.
- No. 27894.—J. W. Tong, fibre-catcher, &c.
- No. 27899.—J. O. Galbally, curd-agitator.
- No. 27904.—L. W. Alexander, water-tap-valve fitting.
- No. 27907.—C. Marriott and J. G. Mitchell, leather-manufacture.
- No. 27908.—C. Marriott and J. G. Mitchell, leather-manufacture.
- No. 27909.—H. A. Corringham and W. G. Joy, pianoforte panel.
- No. 27911.—A. G. McPhail, clothes-peg.
- No. 27915.—W. Seifert, flax-catcher.
- No. 27919.—R. Taberner, motor-launch vent.
- No. 27921.—W. J. Philips, basting-appliance.
- No. 27927.—W. H. Johnstone, tine-harrow seat.
- No. 27928.—A. E. V. Godfrey, trolley-pole.
- No. 27929.—T. H. Coatsworth, draught-regulator.
- No. 27930.—C. E. Billstone, steam-pump.
- No. 27938.—E. A. Langford, clothes-drying horse.
- No. 27939.—N. E. Jackson, stock-marker.
- No. 27949.—A. B. Bennett, securing wires to fence-posts, &c.
- No. 27952.—H. W. James, aerating and cooling milk.
- No. 27959.—A. H. Hunt, tire-tread.
- No. 27963.—H. McDonald, lock-nut.
- No. 27966.—J. Anstis, fencing-post.
- No. 27971.—E. A. Spencer, wall-paper trimmer.
- No. 27979.—J. Flynn, non-refillable bottle.
- No. 27981.—W. McKinlay, boot.
- No. 27983.—H. Seifert, flax-washer.
- No. 27986.—R. G. Love, brooch-pin.
- No. 27995.—W. Burness, potato grader.

Application for Letters Patent void.

A PPLICATION for Letters Patent, with which complete specifications have been lodged, void owing to non-acceptance of such complete specifications, from the 13th to the 27th April, 1911, inclusive:—
No. 27193.—D. Stewart, seed-sower.

Applications for Letters Patent lapsed.

A PPLICATIONS for Letters Patent lapsed, owing to Letters Patent not being sealed, from the 13th to the 27th April, 1911, inclusive:—

- No. 26590.—K. M. Stevens, milking machine teat-cup.
No. 26634.—C. E. Rae, camp-stove.
No. 26728.—F. de Grosse, machine sheep-shearer.
No. 26747.—D. McLeod, trouser-stretcher.
No. 26749.—A. E. Peppercorn, screw for entering baled goods.
No. 26753.—G. S. Thomson, acetylene-generator.
No. 26760.—R. Giles and J. C. Retter, boot holding and positioning device.
No. 26766.—A. Loughnan, wardrobe.
No. 26770.—F. W. Adams, acetylene-lamp.
No. 26775.—E. Bamforth, breast-pump.
No. 26789.—H. S. Clark, motor-wheel clip.
No. 26790.—R. J. McLeod and J. W. List, acetylene-generator.
No. 26806.—J. N. Swalling and K. Murdoch, clothes-peg.

Letters Patent void.

LIST of Letters Patent void through non-payment of renewal fees, and through expiry of term of fourteen years, from the 14th to the 27th April, 1911, inclusive:—

THROUGH NON-PAYMENT OF SECOND-TERM FEES.

- No. 22307.—P. L. Smith, pneumatic-pump connection.
No. 22309.—B. Bidwell, cooling electric motors.
No. 22312.—G. Mackaness and J. Barnes, propeller.
No. 22313.—F. Bailey and F. H. Jackson, clutching-device.
No. 22316.—Johnson's Patent Rolling Mill Company, Limited, metal-sheet corrugating. (G. B. Johnson.)
No. 22317.—T. O'Neil, wire-distributor, &c.
No. 22327.—B. W. White, spoon.
No. 22329.—J. Lowden, jun., tire-puncture prevention.
No. 22330.—D. and F. W. Smith, goloshes.
No. 22332.—F. G. Philpott, washboard.
No. 22334.—T. Whitehorn, packing-apparatus.
No. 22335.—J. W. Dalton, breeches-buoy.
No. 22336.—Wave Power and Electric Company, wave-motor. (W. E. Hughes—F. Starr.)
No. 22337.—A. S. Francis, gas-lamp.
No. 22341.—Chemical Industrial Syndicate, Limited, match-manufacture. (L. Stange.)
No. 22343.—H. J. Best and Co., Limited, beer-chilling, &c. (L. Chew.)
No. 22347.—H. R. Lees, potato-harv. ster.
No. 22349.—J. Gascard and R. Shimmen, potato-grader.
No. 22351.—F. Raven, milking-machine.
No. 22352.—W. F. Cropley, boot and shoe.
No. 22354.—J. Aivaz, dividing-table for punching-presses.
No. 22355.—J. E. Williams, game.
No. 22359.—A. Ashcroft, gum-distilling, &c.

THROUGH NON-PAYMENT OF THIRD-TERM FEES.

- No. 17464.—de B. de Lisle, E. V. Luttrell, and F. I. de Lisle, branding-composition.
No. 17489.—Aktiebolaget Separator, cow-milker. (F. Ljungström.)

THROUGH EXPIRY OF TERM.

- No. 9442.—E. G. N. Salenius, churn, &c.
No. 9445.—H. Higgins, separated-milk treatment.

Designs expired.

THE copyright in the following designs has expired:—

- No. 285.—J. Wilson. Class 1.
No. 286.—F. J. Cooper. Class 5. (Harding and Billing.)

Applications for Trade Marks filed.

LIST of applications for registration of Trade Marks filed from the 13th to 27th April, 1911, inclusive:—

- No. 9562.—13th April, 1911.—H. O. Wiles, Auckland, N.Z. Class 2.
Nos. 9563 and 9564.—18th April, 1911.—Shepherd and Hope. Classes 34 and 38.
No. 9565.—19th April, 1911.—V. H. Hodgson and W. A. Brighton, "Hodgson, Brighton and Co.," Wanganui, N.Z. Class 50.
No. 9566.—19th April, 1911.—Caselberg and Co., Wellington, N.Z. Class 47.
No. 9567.—19th April, 1911.—W. A. and J. A. Macfarlane, Te Aute, N.Z. Class 4.
No. 9568.—20th April, 1911.—"Laxette" Manufacturing Company, Melbourne, Vic. Class 3.
No. 9569.—20th April, 1911.—J. Braadland, Limited, Stavanger, Norway. Class 42.
Nos. 9570, 9571, 9572, 9573, 9574, and 9575.—20th April, 1911.—Lever Bros, Limited, Balmain, N.S.W. Class 47.
No. 9576.—20th April, 1911.—Vacuum Oil Company Proprietary, Limited, Melbourne, Vic., and elsewhere. Class 47.
No. 9577.—21st April, 1911.—A. C. T. Winkelmann, Auckland, N.Z. Class 3.
No. 9578.—25th April, 1911.—D. H. and D. Vettwinkel, "Japanol Enamel Company," London, Eng. Class 1.
No. 9579.—25th April, 1911.—C. W. Clayton, Wanganui, N.Z. Class 38.
No. 9580.—25th April, 1911.—Phoenix Knitting Works, Milwaukee, U.S.A. Class 38.
No. 9581.—26th April, 1911.—F. F. Dalley Company, of Hamilton, Limited, Hamilton, Canada. Class 50.
Nos. 9582 and 9583.—26th April, 1911.—G. Salter and Co., West Bromwich, Eng. Classes 6 and 13.
No. 9584.—26th April, 1911.—J. Mackintosh, Limited, Halifax, Eng. Class 42.
No. 9585.—22nd December, 1910.—Mann, Byars, and Co., Glasgow, Scot. Class 38.
No. 9586.—27th April, 1911.—Pearson's Antiseptic Company, Limited, London, Eng. Class 2.
No. 9587.—27th April, 1911.—P. F. Heering, Copenhagen, Denmark. Class 43.
No. 9588.—27th April, 1911.—Welch, Margetson, and Co., London, Eng. Class 38.
No. 9589.—27th April, 1911.—P. J. Gossling and H. Downes, Wellington, N.Z. Class 39.
No. 9590.—27th April, 1911.—Rheinische Glashütten Actien Gesellschaft, Köln Ehrenfeld, Ger. Class 15.
Nos. 9591, 9592, and 9593.—27th April, 1911.—Reckitts (Over Sea) Limited, Wellington, N.Z. Classes 42, 47, and 50.
No. 9594.—27th April, 1911.—Phoenix Knitting Works, Milwaukee, U.S.A. Class 38.
No. 9595.—27th April, 1911.—A. Tyree, Christchurch, N.Z. Class 38.
No. 9596.—27th April, 1911.—Procter and Gamble Company, Cincinnati, U.S.A. Class 47.
No. 9597.—27th April, 1911.—M. Squire, Timaru, N.Z. Class 9.

Applications for Registration of Trade Marks.

Patent Office,
Wellington, 3rd May, 1911.

A PPLICATIONS for registration of the following Trade Marks have been received. Notice of opposition to the registration of any of these applications may be lodged at this office within two months of the date of this *Gazette*. Such notice must be in duplicate, and accompanied by a fee of £1.

No. of application: 9348.

Date: 31st January, 1911.

TRADE MARK.

The word

KILCAL.

The essential particular of this trade mark is the word "Kiical."

NAME.

JOHN GEORGE SWAN, Hotelkeeper; CHARLES McDONNELL, Farmer; and FRANK MCGARTHY, Chemist; all of Wanganui, in the Dominion of New Zealand, trading as the "Kilcal Noxious Weeds Company."

No. of class: 2.

Description of goods: Chemical weed and plant destroyers.

No. of application : 9456.

Date : 11th March, 1911.

TRADE MARK.

THE
NEW NORTH MILL



The essential particulars of this trade mark are the device and the words "New North Mill"; and any right to the exclusive use of the added matter is disclaimed.

NAME.

COLLINS BROS. AND Co., LIMITED, of Auckland, in the Dominion of New Zealand, Wholesale Stationers.

No. of class : 3.

Description of goods : All kinds of stationery.

No. of application : 9493

Date : 22nd March, 1911.

TRADE MARK.

SULPHUR
BITTERS

The applicants claim that the said trade mark has been used by them and their predecessors in business in respect of the article mentioned for eleven years before the 2nd day of September, 1889.

NAME.

W. T. ORDWAY AND Co., of 343 West 37th Streets, New York City, New York, United States of America, Chemists.

No. of class : 3.

Description of goods : A medical preparation.

No. of application : 9495.

Date : 23rd March, 1911.

TRADE MARK.

The word

NIP-IT.

NAME.

SPENCER VINCENT, of A. J. White's Buildings, High Street, Christchurch, in the Dominion of New Zealand, Chemist and Druggist.

No. of class : 3.

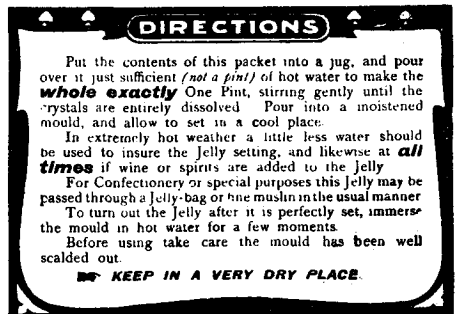
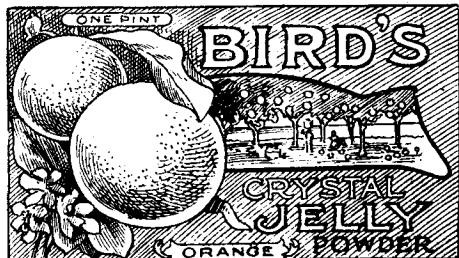
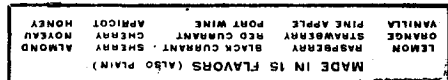
Description of goods : Medicines.

No. of application : 9507.

Date : 28th March, 1911.

TRADE MARK.

PREPARED ONLY BY
ALFRED BIRD & SONS, LTD., BIRMINGHAM ENGLAND.



The essential particular of the trade mark is the combination of devices; and the applicants disclaim any right to the exclusive use of the added matter, except in so far as it consists of their name and address.

NAME.

ALFRED BIRD AND SONS, LIMITED, of Devonshire Works, Deritend, Birmingham, Warwickshire, England, Manufacturers.

No. of class : 42.

Description of goods : Jelly-powder.

No. of application : 9537.
Date : 7th April, 1911.

TRADE MARK.



The essential particular of this trade mark is the distinctive label.

NAME.

HANCOCK AND Co. (NEW ZEALAND) LIMITED, of Custom Street East, Auckland, in the Dominion of New Zealand.

No. of class : 44.
Description of goods : Mineral waters.

No. of application : 9544.
Date : 10th April, 1911.

TRADE MARK.

The word

CHAPPOLINE.

The essential particular of this trade mark is the word "Chappoline."

NAME.

M. H. PALMER, of Westport, in the Dominion of New Zealand, Drug and Fancy-goods Business.

No. of class : 48.
Description of goods : Toilet-preparation.

No. of application : 9555.
Date : 11th April, 1911.

TRADE MARK.

The word

PLYMOL.

The essential particular of this trade mark is the word "Plymol."

NAME.

EDWIN HENRY HARDY, of Te Kuiti, in the Provincial District of Auckland, in the Dominion of New Zealand, Chemical-manufacturer.

No. of class : 4.
Description of goods Raw-oil products.

No. of application : 9570.
Date : 20th April, 1911.

TRADE MARK.

The words

TOM THUMB.

The essential particulars of this trade mark are the words "Tom Thumb."

NAME.

LEVER BROS., LIMITED, of Balmain, State of New South Wales, Commonwealth of Australia, Manufacturers.

No. of class : 47.
Description of goods : Common soap, soap-powders, candles, matches, starch, blue, washing-soda, detergents, and oil for illuminating, heating, or lubricating purposes.

No. of application : 9571.
Date : 20th April, 1911.

TRADE MARK.

The words

TOM THUMB.

The essential particulars of this trade mark are the words "Tom Thumb."

NAME.

LEVER BROS., LIMITED, of Balmain, State of New South Wales, Commonwealth of Australia, Manufacturers.

No. of class : 48.
Description of goods : Perfumed soap, perfumery, and glycerine for toilet purposes.

No. of application : 9572.
Date : 20th April, 1911.

TRADE MARK.

The word

RINSO.

The essential particular of this trade mark is the word "Rinso."

NAME.

LEVER BROS., LIMITED, of Balmain, State of New South Wales, Commonwealth of Australia, Manufacturers.

No. of class : 47.
Description of goods : Common soap, soap-powders, and detergents.

No. of application : 9573.
Date : 20th April, 1911.

TRADE MARK.

The word

RINSO.

The essential particular of this trade mark is the word "Rinso."

NAME.

LEVER BROS., LIMITED, of Balmain, State of New South Wales, Commonwealth of Australia, Manufacturers.

No. of class : 48.
Description of goods : Perfumed soap and toilet articles.

No. of application: 9574.

Date: 20th April, 1911.

TRADE MARK.

The words

WHITE WINGS.

The essential particulars of this trade mark are the words "White Wings."

NAME.

LEVER BROS., LIMITED, of Balmain, State of New South Wales, Commonwealth of Australia, Manufacturers.

No. of class: 47.

Description of goods: Common soap, soap-powders, and detergents.

No. of application: 9575.

Date: 20th April, 1911.

TRADE MARK.

The words

WHITE WINGS.

The essential particulars of this trade mark are the words "White Wings."

NAME.

LEVER BROS., LIMITED, of Balmain, State of New South Wales, Commonwealth of Australia, Manufacturers.

No. of class: 48.

Description of goods: Perfumed soap and toilet articles.

No. of application: 9576.

Date: 20th April, 1911.

TRADE MARK.

The word

PAROWAX.

NAME.

VACUUM OIL COMPANY PROPRIETARY, LIMITED, of 90 William Street, in the City of Melbourne, Commonwealth of Australia, and elsewhere, Oil and Grease Merchants.

No. of class: 47.

Description of goods: Wax for laundry and other household purposes.

No. of application: 9577.

Date: 27th April, 1911.

TRADE MARK.

The word

VICTIS.

The essential particular of this trade-mark is the word "Victis."

NAME.

ARTHUR CHARLES TERENCE WINKELMANN (trading as the "Victis Manufacturing and Packing Proprietary"), of Auckland, in the Dominion of New Zealand.

No. of class: 3.

Description of goods: Various medicines for human use.

No. of application: 9582

Date: 26th April, 1911.

TRADE MARK



The applicants claim that the said trade mark has been used by them and their predecessors in business in respect of the articles mentioned since 1884.

NAME.

GEORGE SALTER AND Co., of High Street, West Bromwich, Staffordshire, England, Manufacturers.

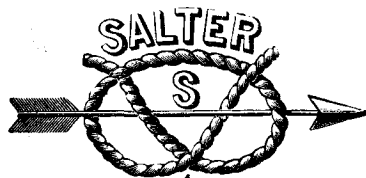
No. of class: 6.

Description of goods: Spring balances and spring weighing-machines, roasting-jacks, revolving show-stands for shop-windows, and other like machines actuated by coiled or band springs (excepting horological instruments), and steel machine-springs.

No. of application: 9583.

Date: 26th April, 1911.

TRADE MARK.



The applicants claim that the said trade mark has been used by them and their predecessors in business in respect of the articles mentioned since 1884.

NAME.

GEORGE SALTER AND Co., of High Street, West Bromwich Staffordshire, England, Manufacturers.

No. of class: 13.

Description of goods: Sad and box and other smoothing-irons, sad iron stands and heaters; door and other springs (excepting machine-springs) made of iron and steel; bells and steam-fittings included in Class 13.

No. of application: 9584.

Date: 26th April, 1911.

TRADE MARK.

MACKINTOSH'S



NAME.

JOHN MACKINTOSH, LIMITED, of Albion Mills and Toffee Mills, Queen's Road, Halifax, Yorkshire, England, Manufacturers.

No. of class: 42.

Description of goods: All kinds of confectionery, especially toffee.

No. of application: 9586.

Date: 27th April, 1911.

TRADE MARK.

The word

PACOLOL.

NAME.

PEARSON'S ANTI-SEPTIC COMPANY, LIMITED, of 15 Elm Street, Gray's Inn Road, London, England, Disinfectant Merchants.

No. of class: 2.

Description of goods: Chemical substances used for agricultural, horticultural, veterinary, and sanitary purposes.

No. of application: 9588.

Date: 27th April, 1911.

TRADE MARK.

The word

VIVAX.

NAME.

WELCH, MARGETSON, AND CO., of 16 Moor Lane, London E.C., England, Manufacturers and Merchants.

No. of class: 38.

Description of goods: Collars made of linen, cotton cotton and linen, cotton and linen, linen linen and cotton, and all cotton.

No. of application: 9589.

Date: 27th April, 1911.

TRADE MARK.

The word

GOSSRING.

The essential particular of this trade mark is the word "Gossring."

NAME.

PERCIVAL JAMES GOSSLING, Manager, and HARRY DOWNES, Importer, both of 137 Willis Street, in the City of Wellington and Dominion of New Zealand.

No. of class: 39.

Description of goods: Document-files, loose-leaf books, and devices connected therewith, included in this class.

No. of application: 9590.

Date: 27th April, 1911.

TRADE MARK.

CORONATION

NAME.

RHEINISCHE GLASHÜTTEN ACTIEN GESELLSCHAFT, of 46 Huttenstrasse, Köln-Ehrenfeld, Germany, Manufacturers.

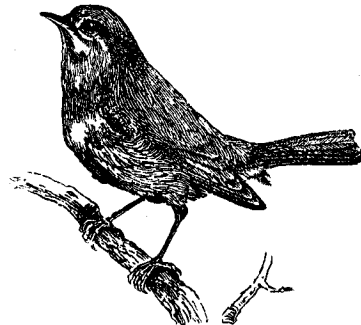
No. of class: 15.

Description of goods: Glass.

No. of application: 9592.

Date: 27th April, 1911.

TRADE MARK.



ROBIN

NAME.

RECKITT'S (OVER SEA) LIMITED, Post-office Box 422, Wellington, in the Dominion of New Zealand, Manufacturers of Blue, Starch, &c.

No. of class: 47.

Description of goods: Starch, blue, and other preparations for laundry purposes—such as washing-powders—candles, soap, detergents, illuminating and heating oils, lubricating oils, matches, and other articles in this class.

No. of application: 9595.

Date: 27th April, 1911.

TRADE MARK.

The word

TERRITORIAL.

NAME.

ALFRED TYREE, of Christchurch, in the Dominion of New Zealand, Boot-manufacturer.

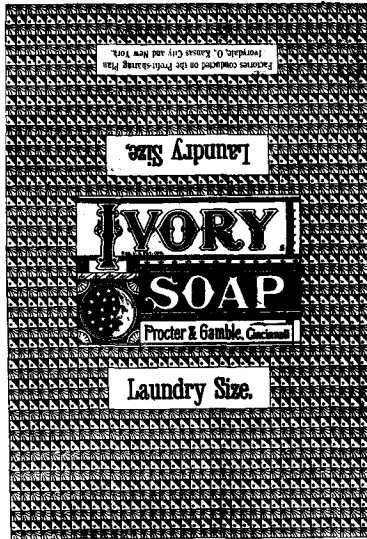
No. of class: 38.

Description of goods: Boots, shoes, and other articles of ready-made clothing.

No. of application : 9596.

Date : 27th April, 1911.

TRADE MARK.



The essential particulars of this trade mark are the distinctive label, the combination of devices, and the word "Ivory"; and the applicants disclaim any right to the exclusive use of the added matter, except their name and address.

NAME.

THE PROCTER AND GAMBLE COMPANY, a corporation organized under the laws of the State of Ohio, and having a principal place of business in the Citizens Bank Buildings, Cincinnati, Ohio, United States of America.

No. of class : 47.

Description of goods : Soap.

No. of application : 9597.

Date : 27th April, 1911.

TRADE MARK.

The word

ARION.

The essential particular of this trade mark is the word "Arion."

NAME.

MARIE SQUIRE, of Fairview, in the Dominion of New Zealand, Wife of George Squire.

No. of class : 9.

Description of goods : Pianos.

J. C. LEWIS,
Registrar.

Trade Marks registered.

LIST of Trade Marks registered from the 13th to the 27th April, 1911, inclusive :—

No. 7358/9111.—H. F. Stevens. Class 48. (*Gazette* No. 12, of the 9th February, 1911.)

No. 7359/9228.—R. Wilson and Co., Limited. Class 42. (*Gazette* No. 12, of the 9th February, 1911.)

No. 7360/9340.—New Zealand Photo Goods Company, Limited. Class 1. (*Gazette* No. 12, of the 9th February, 1911.)

No. 7361/9347.—R. Arlow and Co., Limited. Class 50. (*Gazette* No. 12, of the 9th February, 1911.)

No. 7362/9295.—Rouse and Hurrell Carriage Building Company, Limited. Class 47. (*Gazette* No. 7, of the 26th January, 1911.)

No. 7363/8772.—W. and G. Turnbull and Co. Class 42. (*Gazette* No. 60, of the 16th June, 1910.)

No. 7364/9257.—P. C. Triggs. Class 47. (*Gazette* No. 7, of the 26th January, 1911.)

No. 7365/8473.—E. J. Joblin. Class 2. (*Gazette* No. 12, of the 9th February, 1911.)

Nos. 7366/9286 and 7367/9287.—A. Cocks and Co., Limited. Classes 14 and 10. (*Gazette* No. 7, of the 26th January, 1911.)

No. 7368/9312.—H. E. Partridge and Co., Limited. Class 12. (*Gazette* No. 12, of the 9th February, 1911.)

No. 7369/9320.—Union Electric Company of Australia, Limited. Class 13. (*Gazette* No. 12, of the 9th February, 1911.)

No. 7370/9341.—T. G. Doyle. Class 2. (*Gazette* No. 12, of the 9th February, 1911.)

No. 7371/9342.—D. W. Custer. Class 1. (*Gazette* No. 12, of the 9th February, 1911.)

Trade Mark Renewal Fees paid.

FEES paid for the renewal of the undermentioned Trade Marks for fourteen years from the date first mentioned :—

No. 1911/1744.—13th February, 1911.—Vinolia Company, Limited (Incorporated 1899), London, Eng. (Blondeau et Cie.) 20th April, 1911.

No. 1972/1625.—5th May, 1911.—J. Wilkie, Auckland, N.Z. 10th April, 1911.

No. 1996/1697.—22nd May, 1911.—Salt Union, Limited, London, Eng. 27th April, 1911.

No. 2012/1620.—7th June, 1911.—A. McNaughton, Dunedin, N.Z. 18th April, 1911.

Nos. 2021/1635, 2022/1636.—9th June, 1911.—W. H. Comstock Company, Limited, Sydney, N.S.W. 20th April, 1911.

No. 2041/1642.—30th June, 1911.—A. A. Blot, "A. Raynaud," Paris, France. (A. Raynaud and Co.) 18th April, 1911.

Nos. 2042/1656, 2043/1657, and 2044/1643.—30th June, 1911.—Jeyes' Sanitary Compounds Company, Limited, London, Eng. 18th April, 1911.

Nos. 2118/1695, 2119/1696.—8th September, 1911.—Lever Bros., Limited, Balmain, N.S.W. 20th April, 1911.

Nos. 2272/1825, 2275/1877, and 2277/1828.—26th February, 1912.—Alaska Packers' Association, San Francisco, U.S.A. 20th April, 1911.

Subsequent Proprietors of Trade Marks registered.

[NOTE.—The name of the former proprietor is given in brackets; the date is that of registration.]

Nos. 85/2911, 86/208, and 88/2475.—Angostura Bitters (Dr. J. G. B. Siegert and Sons), Limited, of 626 Salisbury House, London Wall, London E.C., England. Bitters Manufacturers and Merchants. (Dr. J. G. B. Siegert and hijos.) 20th April, 1911.

Nos. 831/649 (series of three marks), 832/650 (series three), 833/651 (series three), 835/653 (series three), 836/654 (series three), 837/655, 838, 656, 839/657, 3174/2769, 3937/3097, 3938/3497, 3939/3098, 4231/3954, 4521/3603, 5153/4046, 6707/5311. The Empire Manufacturing Company, Limited, a private company duly incorporated under the Companies Acts, and carrying on business and having its registered office in the City of Wellington, New Zealand. (W. and G. Turnbull and Co.) 20th April, 1911.

In the case of No. 5153/4046, the assignment does not cover "Tea"; all right and interest in the mark for this article being retained by the vendors.

Trade Marks removed from the Register.

TRADE Marks removed from the Register owing to the non-payment of the renewal fee, from the 13th to the 27th April, 1911, inclusive :—

No. 1888/1522.—14th January, 1897.—McLean Bros. and Rigg, Limited, Melbourne, Vic. (Wilkins and Field. Class 22.

No. 1889/1523.—14th January, 1897.—Wilkins and Field, Wellington, N.Z. Class 22.

No. 1890/1757.—14th January, 1897.—W. Pretty and Son, Ipswich, Eng. Class 38.

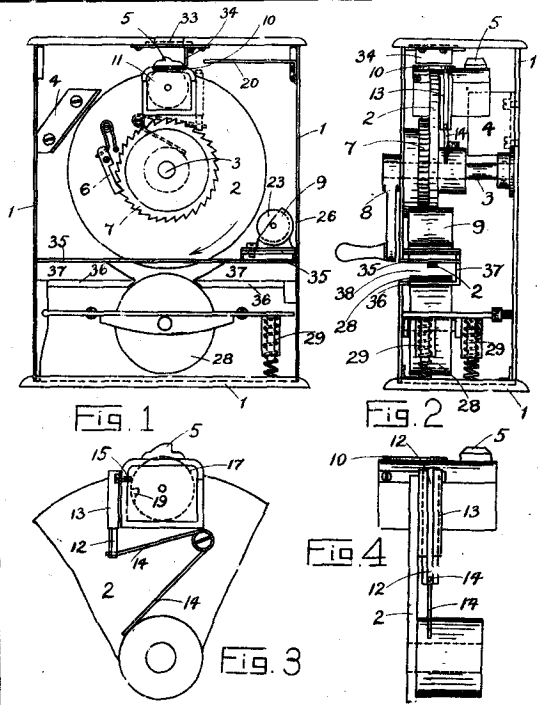
No. 1893/1505.—20th January, 1897.—Standard Biscuit Company, San Francisco, U.S.A. Class 42.

No. 1894/1741.—21st January, 1897.—R. S. Tonkinson and Co., Dunedin, N.Z. Class 22.

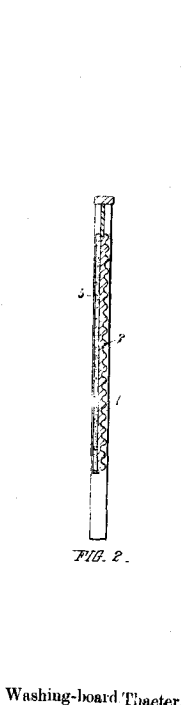
No. 1896/1551.—25th January, 1897.—J. Adams and Co. Auckland, N.Z. Class 42.

ILLUSTRATIONS OF INVENTIONS.

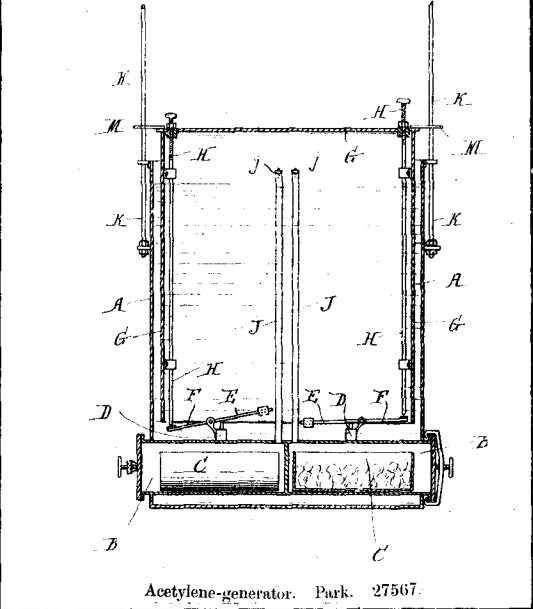
[These illustrations refer to the complete specifications accepted, and advertised in this Gazette.]



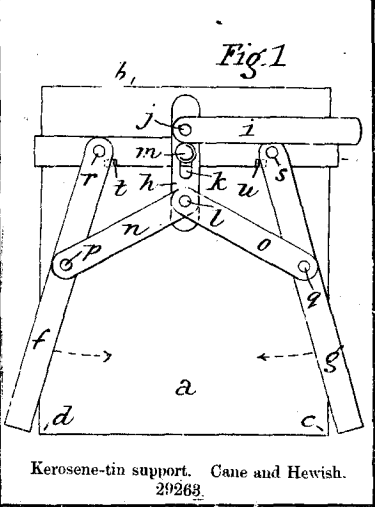
Mail-marker. Morton. 27652.



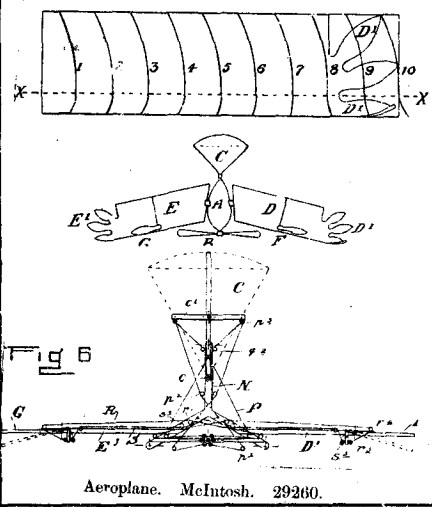
Washing-board triaeter. 29831.



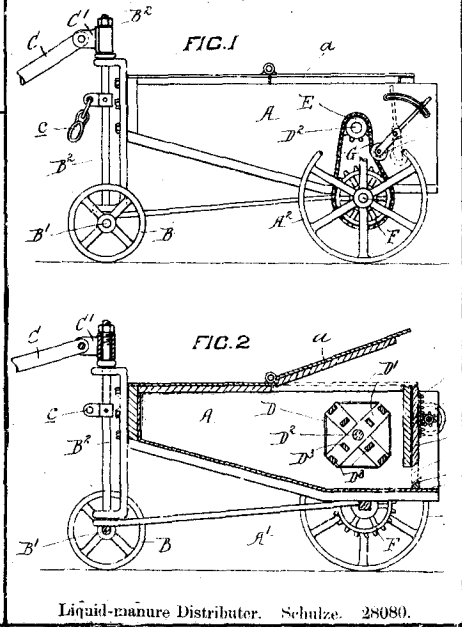
Acetylene-generator. Park. 27567.



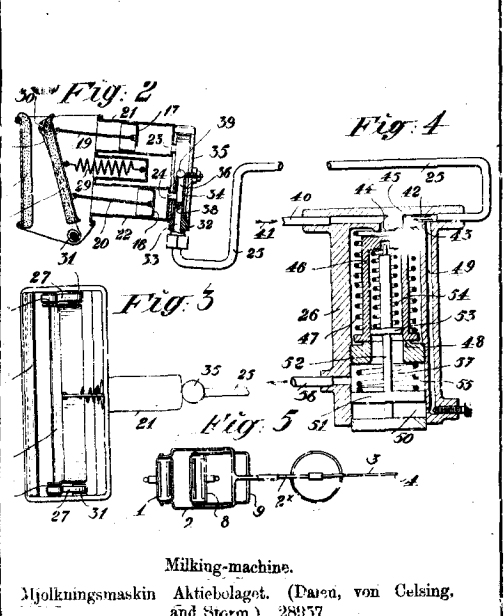
Kerosene-tin support. Cane and Hewish. 29268.



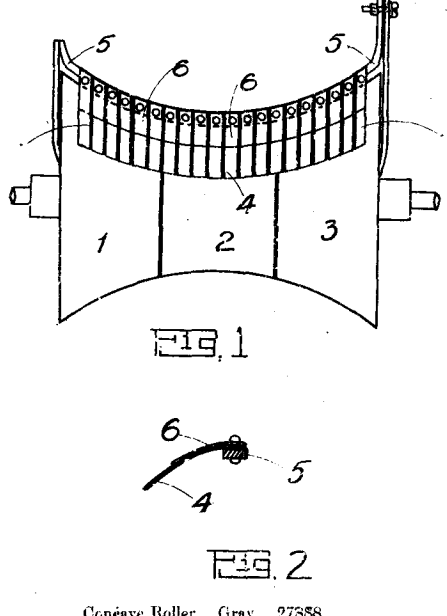
Aeroplane. McIntosh. 29260.



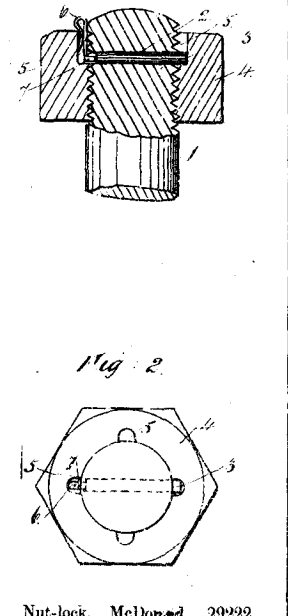
Liquid-manure Distributor. Schulze. 28080.



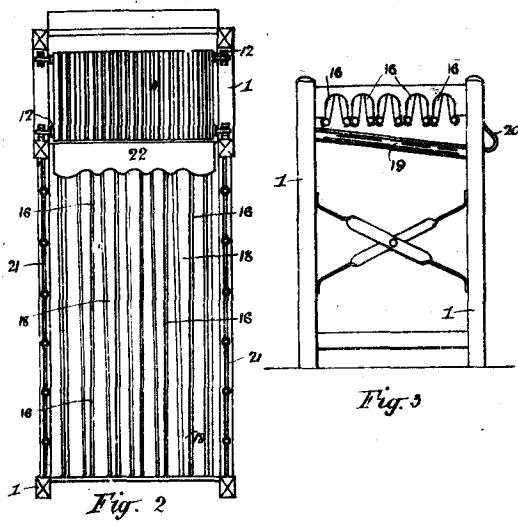
Milking-machine. Mjolkningsmaskin Aktiebolaget. (Paten. von Celsing, and Steen.) 28957.



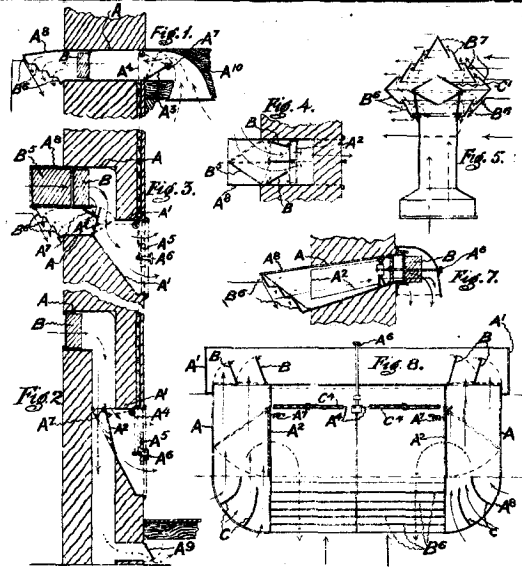
Concave Roller. Gray. 27358.



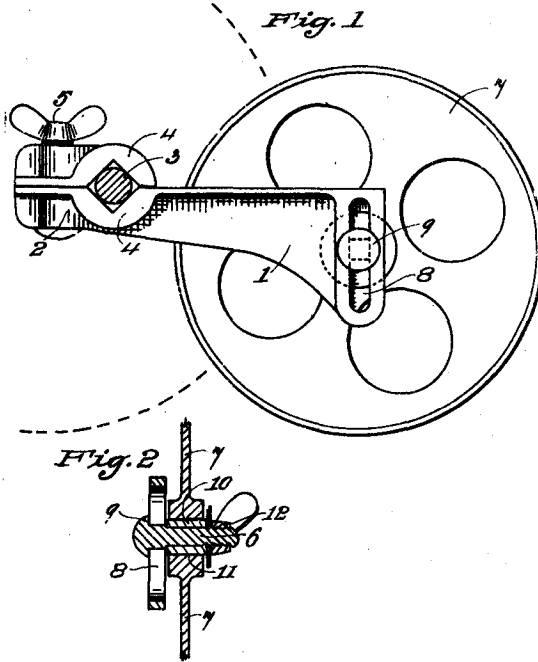
Nut-lock. McDonald 29222.



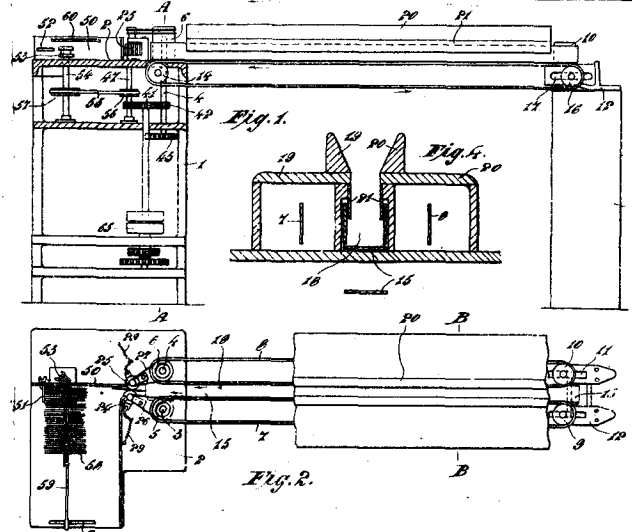
Fruit-grader. Shield. 28447.



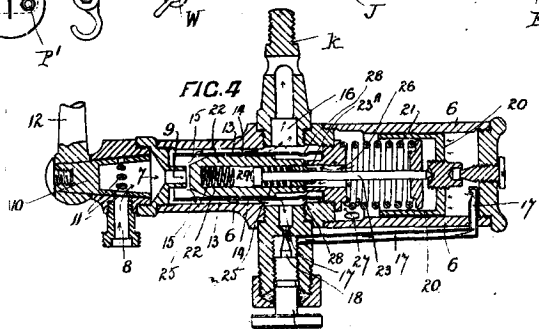
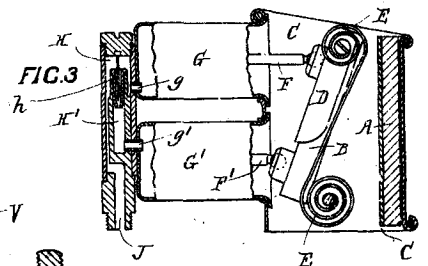
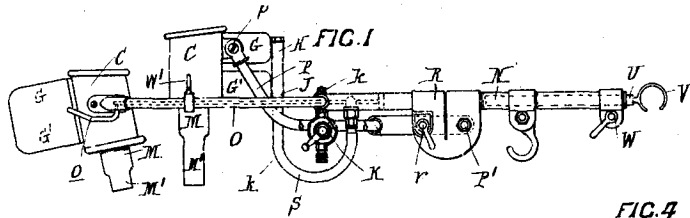
Ventilator Ross. 28699.



Lawn-mower Attachment. Young and Holmes. 28910.



Mail-marker. Burn. 27890.



Milking-machine. Morley. (Mjolkkningsmaskin Aktiebolaget. — Dalen.) 27825.

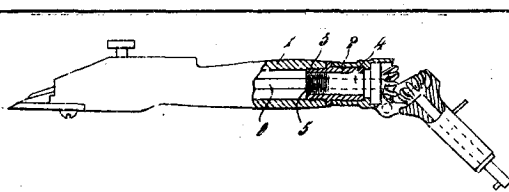


Fig. 2.

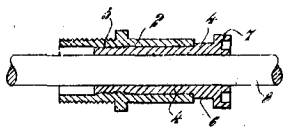
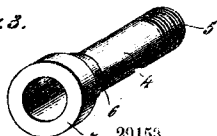
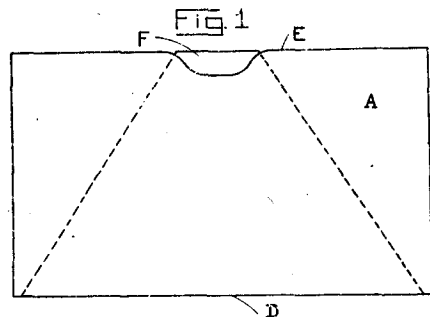


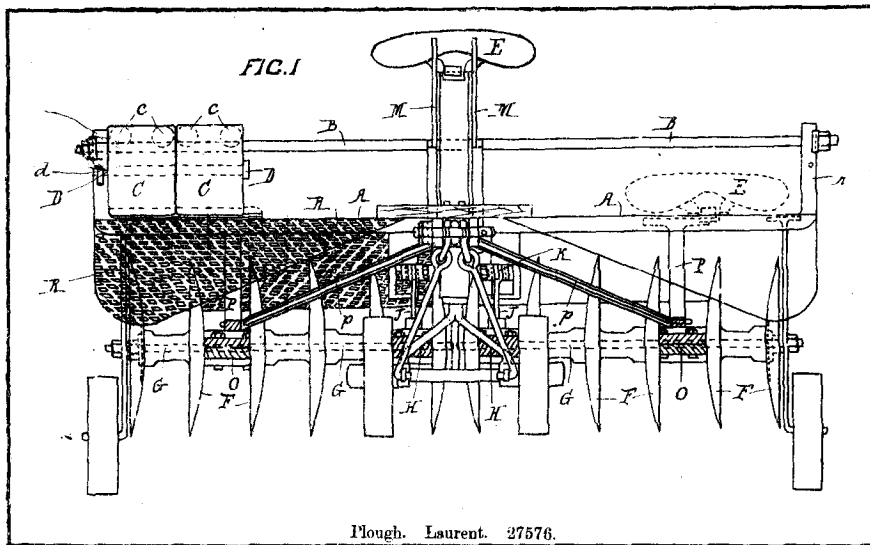
Fig. 3.



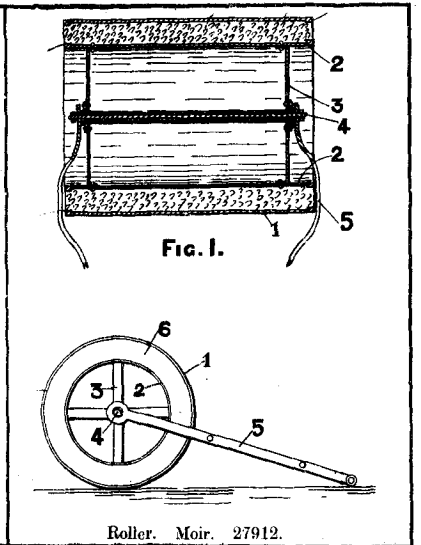
Sheep-shearing Machine. Levin and Co. (Limited). (Hutchinson.) 29153.



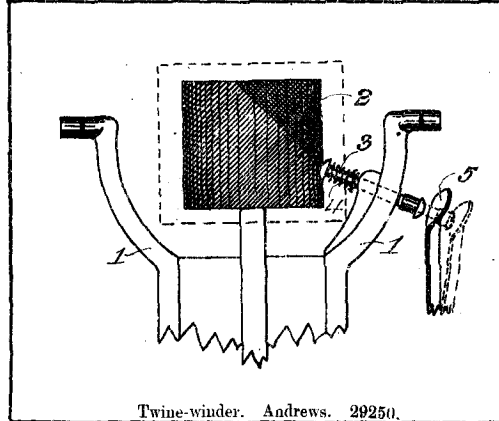
Envelope-opener. Firth, Mosse, Donald, and Mosse. 29242.



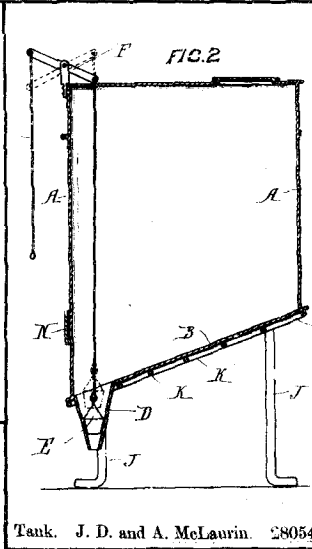
Plough. Laurent. 27576.



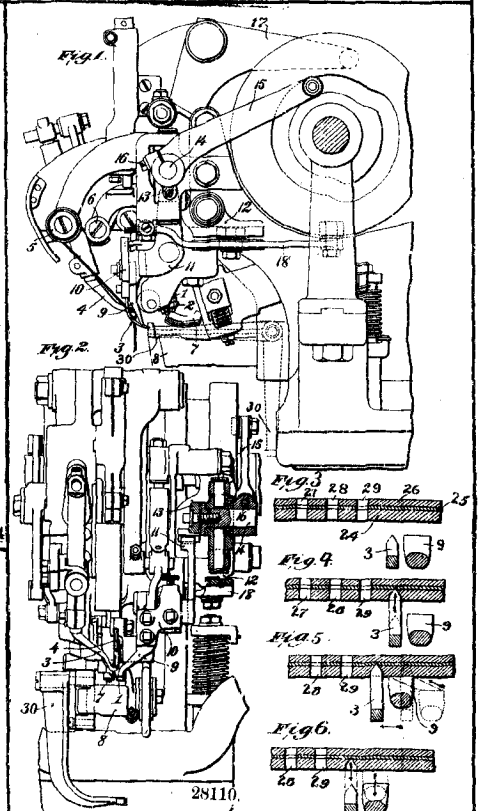
Roller. Moir. 27912.



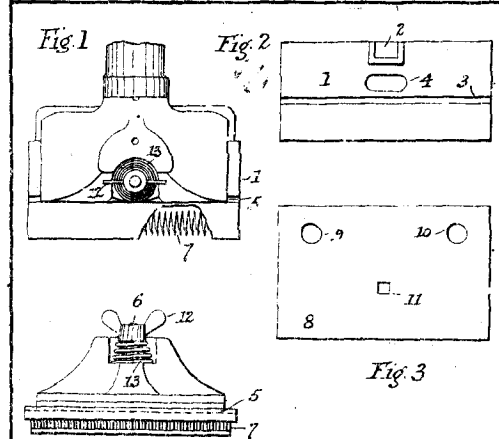
Twine-winder. Andrews. 29250.



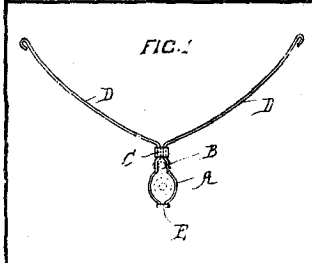
Tank. J. D. and A. McLaurin. 28054.



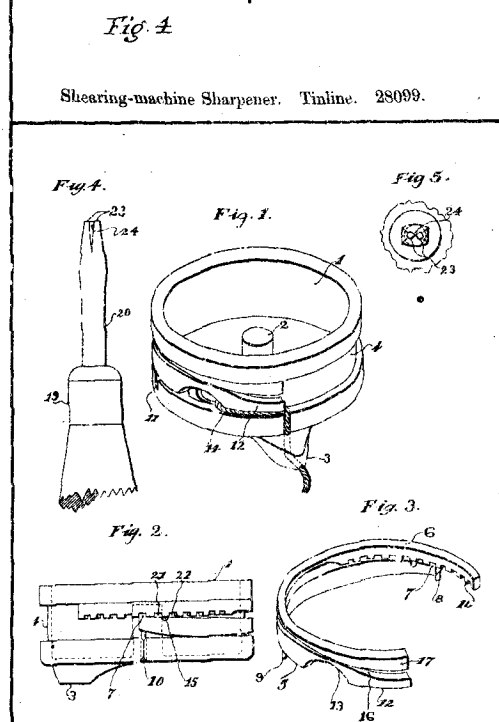
Boot-sewing Machines: Channel-guide Mechanism. United Shoe Machinery Company. (Winkley and Eppler.)



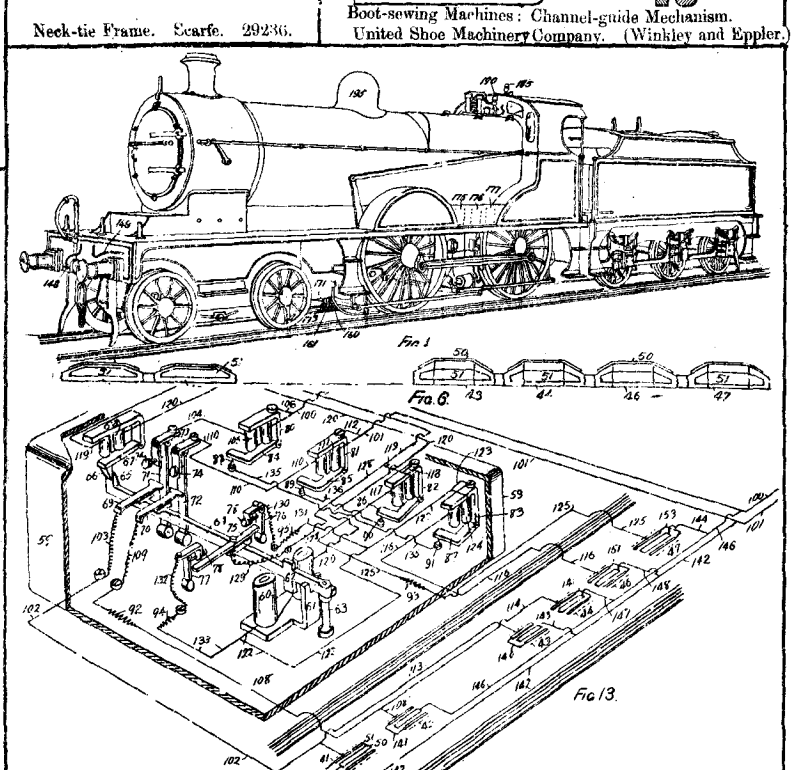
Shearing-machine Sharpener. Tinline. 28099.



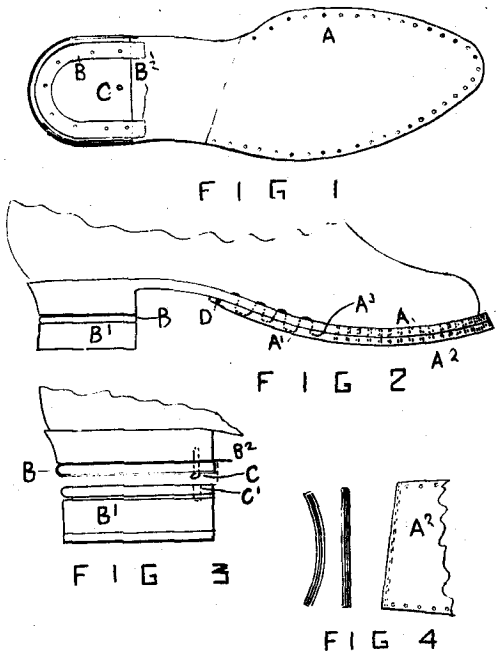
Neck-tie Frame. Scarfe. 29236.



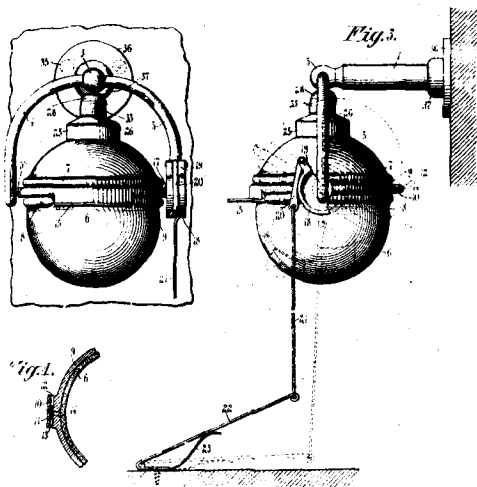
Boot-sewing Machines: Shuttle-tension Device. United Shoe Machinery Company. (Dow.) 28124.



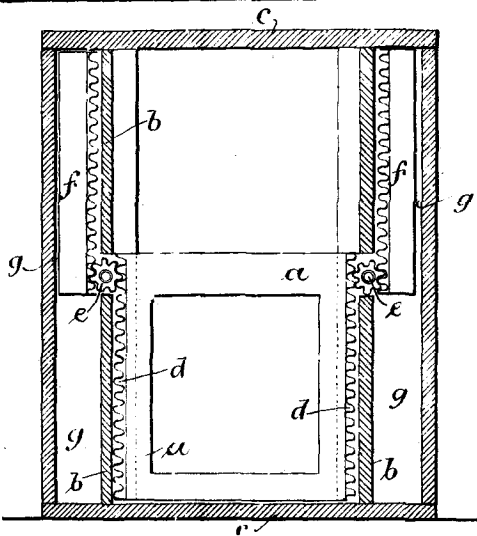
Railway-safety Devices. Angus. 29841.



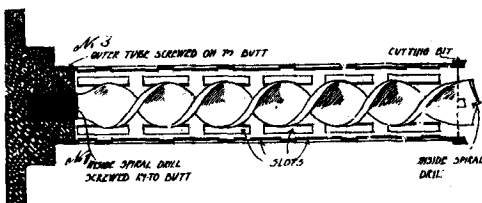
Boot Sole and Heel. Beunet. 29245.



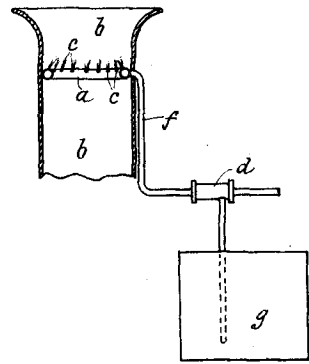
Liquid-dispenser. West Disinfecting Company. (Marsuc.) 29226.



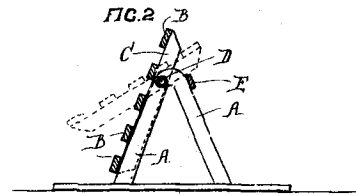
Window-sash. Flintoff. 25272.



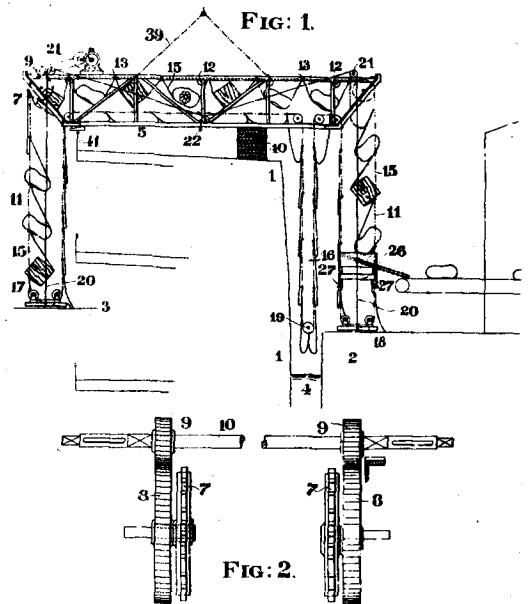
Tube-borer. Ferguson and Stevenson. 29249.



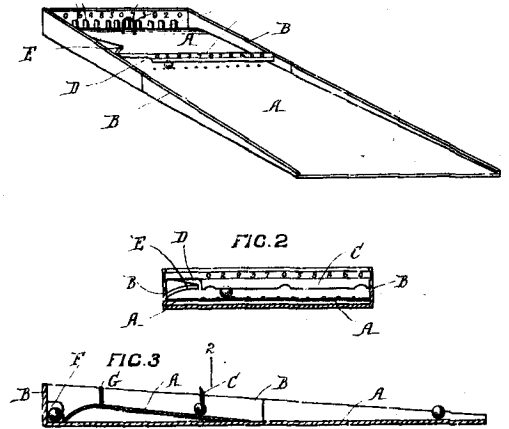
Spark-arrester. Green. 27537.



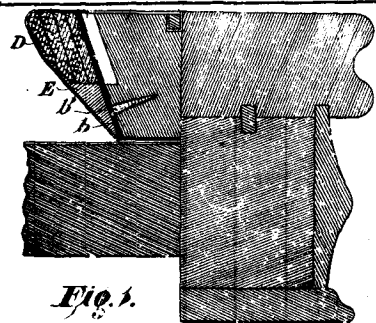
Hurdle. Taylor. 28070.



Elevator and Conveyor. P. C. and B. I. Donald. 29880.



Game-apparatus. Leonard. 27767.



Billiard-table Cushion. Alcock. 29818.

Applications for Trade Marks abandoned or refused.

LIST of applications for registration of Trade Marks abandoned or refused from the 1st to the 28th February, 1911, inclusive:—

- No. 8536.—3rd February, 1910.—T. W. Whittle, of Christchurch, N.Z. Class 50.
 No. 8569.—18th February, 1910.—N. H. King, of Feilding, N.Z. Class 48.
 No. 8570.—18th February, 1910.—Union Oil, Soap, and Candle Company, Limited, of Auckland, N.Z. Class 50.
 No. 8579.—23rd February, 1910.—K. Tompkins, of Christchurch, N.Z. Class 38.
 No. 8583.—1st March, 1910.—W. Williams and Sons, Limited, of Aberdeen, Scot. Class 43.
 No. 8585.—2nd March, 1910.—Woodville Bacon Company, Limited, of Woodville, N.Z. Class 42.
 No. 8597.—8th March, 1910.—D. Munn, of Hastings, N.Z. Class 3.
 No. 8614.—11th March, 1910.—C. R. Stevens and Son, of Napier, Hawke's Bay, N.Z. Class 22.
 No. 9452.—11th March, 1910.—Ellis and Manton, of Wellington, N.Z. Class 47.

Application for Trade Mark opposed.

NO. 9232.—New Zealand Candle Company, Limited.
 Opposed by W. Campbell.

Alphabetical List of Applicants for Letters Patent for Quarter ended 31st March, 1911.

THIS list includes also (1) applications lodged prior to but gazetted during the quarter, (2) complete specifications following provisional specifications accepted and gazetted during the quarter. The first number and date are those of the application, the second (in parentheses) those of the *Gazette*. Where only one number and date are inserted, the application has not yet been accepted.

* Denotes a provisional specification. † Denotes a prior date under the International and Intercolonial Arrangements.

- Abrams, L. G., Glebe Point, New South Wales; broom, &c., socket handle-attachment; 29130, 15th February; (23, 23rd March).
 Adams, W. L., Tokomaru, New Zealand; fibre-catcher; 29129, 15th February.
 Aitken, W., Oamaru, New Zealand; power-storing by springs; 29264, 14th March.
 Aitken, W., and another, Little River, New Zealand; seed-threshing, &c., machine; 29021, 18th January; (28, 6th April).
 Akeley, C. E., Chicago, United States America (see McElroy-Shepherd Company, No. 29228).
 Alcock, F. A., Melbourne, Victoria, billiard-table-cushion support; 29313, 23rd March; (37, 4th May).
 Alexander, L. W., and another, Auckland, New Zealand; non-refillable bottle; 28900, 17th December, 1910; (18, 9th March).
 Allan, A. T. W., New Lynn, New Zealand; combination cradle and pram; 29204, 27th February.
 Allan, E. A., Auckland, New Zealand; eye-glass holder; 29106, 8th February; (18, 9th March).
 Allen, J. V., and another, South Weymouth, United States America (see United Shoe Machinery Company, No. 29305).
 Alpe, F. G., and another, Auckland, New Zealand; statement-form; 29282, 18th March.
 Alpe, R. E., and another, Auckland, New Zealand; statement-form; 29282, 18th March.
 Anderson, C. F., Queenstown, Tasmania; acetylene-generator; 29339, 29th March; (33, 20th April).
 Anderson, W. H., Wellington, New Zealand; cinematograph fan or shutter; 29184, 27th February; (28, 6th April).
 Andrews, F., Mercer, New Zealand; connecting ends of telegraph-wires; 29169, 23rd February.
 Andrews, F., Mercer, New Zealand; lowering-device for use in cellars; 29170, 23rd February; (28, 6th April).
 Andrews, F., Mercer, New Zealand; horse-collar; 29171, 23rd February.
 Andrews, F. H., Wellington, New Zealand; gun-sight; 29324, 27th March.
 Andrews, J. P., Waikuku, New Zealand; twine-winder; 29250, 11th March; (37, 4th May).
 Andrews, W., and another, Christchurch, New Zealand; oil-engine and vacuum-pump; 28951, 5th January; (12, 9th February).*

APPLICANTS FOR LETTERS PATENT—continued.

- Angus, A. R., Mosman, New South Wales; railway safe-running device A; 29081, 7th February, 1910.†
 Angus, A. R., Mosman, New South Wales; railway safe-running device B; 29082, 7th February, 1910.†
 Angus, A. R., Mosman, New South Wales; railway safe-running device; 29083, 7th February, 1910.†
 Angus, A. R. Mosman, New South Wales; railway-running devices; 29341, 12th May, 1910†; (37, 4th May).
 Anketell, C., Masterton, New Zealand; chaff-cutter feed; 29186, 28th February; (28, 6th April).
 Ansell, F. A. W., Auckland, New Zealand; bath and stand 29217, 1st March; (28, 6th April).
 Arlow, M., Christchurch, New Zealand; clothes-washer 29295, 20th March.
 Armstrong, E. J., Hawera, New Zealand; milk-delivering to milking-machine tank; 29151, 18th February; (23, 23rd March).
 Aronsen, P. A., Hoboken, United States America (see H. Turner, No. 28299).
 Ashcroft, E. A., London, England; manufacture of metallic sodium; 29286, 16th March; (33, 20th April).
 Ashton, O., Swampscott, United States America (see United Shoe Machinery Company, Nos. 29202, 29203).
 Ashton, S. T., Castlecliff, New Zealand; tip-trolley; 29110 9th February; (15, 23rd February).
 Aston, E. A. V., and another, Christchurch, New Zealand; bicycle-saddle; 29276, 21st February; (28, 6th April).
 Aston, V. S., Gisborne, New Zealand; clamp for holding clothes to line; 29328, 25th March; (33, 20th April).
 Aston, W. I., and another, Christchurch, New Zealand; bicycle-saddle; 29276, 21st February; (28, 6th April).
 Attenborough, W. A., Melbourne, Victoria; ship-course recorder, &c.; 28123, 21st July, 1910; (23, 23rd March).
 Attenborough W., Auckland, New Zealand; 29312, 21st March; (33, 20th April).*
- Badische Anilin and Soda Fabrik, Ludwigshafen-on-Rhine, Germany (see E. N. Waters, Nos. 29147, 29148).
 Baird, A. C., Auckland, New Zealand; gas and oil engine; 29115, 9th February; (23, 23rd March).
 Baird, A. C., Auckland, New Zealand; turbine; 29210, 1st March; (28, 6th April).
 Balfour, J. W., and others, Victoria, British Columbia; spike; 28375, 3rd September, 1910; (18, 9th March).
 Balfour's Patents, Limited, and another, Victoria, British Columbia; spike; 28375, 3rd September, 1910; (18, 9th March).
 Barnes, H., and another, Church, Lancaster, England (see A. Holden, No. 28923).
 Barrett, T., Ultimo, New South Wales; horse-shoe shaping, &c., machine; 29107, 14th February, 1910†; (15, 23rd February).
 Barrymore, A. R., Adelaide, South Australia; electric-car trolley-wheel; (F. H. Smith and F. A. Metters); 28877, 15th December, 1910; (7, 26th January).
 Bartlett, K. H., Kaponga, New Zealand; teat-cup; 29267, 15th March; (28, 6th April).
 Basley, G. W., and another, Auckland, New Zealand; cow-milker; 28938, 9th March; (23, 23rd March).
 Bates, A., Leicester, England (see United Shoe Machinery Company, Nos. 27640, 28930).
 Beadle, J., Dunedin, New Zealand; metal-protection compound; 28958, 4th January; (12, 9th February).
 Beagley, F., and another, Kibbirnie, New Zealand; reinforced-concrete frame; 27687, 5th May, 1910; (15, 23rd February).
 Beale, W. H., and another, Wellington, New Zealand; knitting-machines; 27157, 13th January, 1910; (2, 12th January).
 Beaven, A. W., and another, Christchurch, New Zealand; oil-engine and vacuum-pump; 28951, 5th January; (12, 9th February).
 Bedford, F., and another, Sleaford, England; catalytic reduction of organic substances; 29031, 20th January (12, 9th February).
 Bedford, F., and another, Sleaford, England; synthesis of methane; 28097, 16th July, 1910; (2, 12th January).
 Beldam, C. A., and another, London, England; piston-rod packing; 28952, 22nd January, 1910 †; (7, 26th January).
 Benge, C. H., and another, Auckland, New Zealand; hat-pin shield; 29180, 23rd February; (28, 6th April).
 Bennett, W., Mornington, New Zealand; boot sole and heel; 29245, 8th March; (37, 4th May).
 Benson, R. S., and others, Durham, England; washing coal 28929, 29th December, 1910; (7, 26th January).
 Berendsen, F., Wellington, New Zealand; friction appliance 29109, 9th February.
 Berg, J. A., Christchurch, New Zealand; gig-frame; 28135 22nd July, 1910; (12, 10th February).

APPLICANTS FOR LETTERS PATENT—*continued.*

Berry, A. F., Ealing, England; electrical transmission, &c.; 29159, 22nd February; (23, 23rd March).
 Berry, E. D., Palmerston North, New Zealand; utilization of exhaust; 27902, 14th June, 1910; (28, 6th April).
 Berry, E. D., Palmerston North, New Zealand; pasteurizer; 29176, 24th February; (28, 6th April).
 Berry, J. C., Harrow, England; motor-tire tread-band; 28607, 19th October, 1909; (18, 9th March).
 Bertram, C. S., and others, Benoni, Transvaal; 29296, 21st March; (28, 6th April).
 Bertrand, F. E., Swampscott, United States America (see United Shoe Machinery Company, No. 28107).
 Birks, E. N., London, England (see G. F. Birks, No. 28800).
 Bird, C. E., Sydney, New South Wales; cavity-wall ties; 27635, 27th April, 1910; (12, 9th February).
 Birks, G. F., Sydney, New South Wales; can-closure; (E. N. Birks); 28800, 28th November, 1911; (7, 26th January).
 Bishop, W. H. B., and another, Waverley, New Zealand; acetylene-generator; 29183, 27th February.
 Bone, W. A., and others, Leeds, England; heating liquids; 29123, 22nd February, 1910.
 Booth, Macdonald, and Co., Limited, Christchurch, New Zealand; teat-cup; (C. G. Whitaker); 29149, 17th February; (23, 23rd March).
 Booty, E. R., and another, Perth, West Australia; air-gas carburetter; 29271, 15th March; (33, 20th April).
 Bourcand, A. E., London, England; metal-manufacture; 28966, 10th January, 1910.
 Bower, D., Dunedin, New Zealand; can; 29181, 24th February.
 Boyce, J. W., Napier, New Zealand; garment-pattern drafting; 29070, 1st February.
 Boyce, W. L., Enlabil, New South Wales; cow-shed, &c.; 28915, 5th May, 1910; (7, 26th January).
 Boyce, L. A., Petaluma, United States America (see Petaluma Incubator Company, No. 29079).
 Boyd, F. A., Perth, West Australia; telephone-horn; 29269, 15th March.
 Boyle, T. T., and another, Sydney, New South Wales; preserving meat; 27680, 4th May, 1910; (28, 6th April).
 Bradford, F., and another, San Francisco, United States America; electric water-heater; (H. N. Roche); 29019, 19th January; (15, 23rd February).
 Bradley, A. E., and another, Christchurch, New Zealand; displaying designs for stained-glass windows; 28322, 24th August, 1910; (15, 23rd February).
 Bradley, H. G., and another, Christchurch, New Zealand; displaying designs for stained glass windows; 28322, 24th August, 1910; (15, 23rd February).
 Brandes, A., and another, Hanover, Germany; preventing incrustation of steam-generators; 27454, 22nd March, 1910; (28, 6th April).
 Branton, T., Blenheim, New Zealand; flax-scraper; 29303, 20th March; (37, 4th May).
 Brinati, J., Rongotea, New Zealand; vehicle-wheel; 29060, 27th January; (18, 9th March).
 Bristow, C., Christchurch, New Zealand; grain-sample envelope; 29322, 24th March.
 Broadbent, W., and another, Foxton, New Zealand; crate; 29298, 21st March.
 Broadbent, W., and another, Foxton, New Zealand; telephone-mouthpiece disinfectant; 29299, 21st March.
 Broadfield, T. F., Grong Grong, New South Wales; tooth-wheel mask; 29073, 1st February; (15, 23rd February).
 Brock, C., Wellington, New Zealand; steering-apparatus; 29144, 16th February; (28, 6th April).
 Brookfield, A. G. P., and another, St. Helier's Bay, New Zealand; internal-combustion engine; 29059, 27th January; (23, 23rd March).
 Brookfield, A. S. P., and another, St. Helier's Bay, New Zealand; internal-combustion engine; 29059, 27th January; (23, 23rd March).
 Broomby, J. J., and another, Launceston, Tasmania; threshing-machine; 28925, 22nd December, 1910; (12, 9th February).
 Brown, J., and another, Christchurch, New Zealand; washing-machine; (W. McMillan); 29085, 30th January; (15, 23rd February).
 Brown, J. E. C., Otekaieke, New Zealand; bicycle-saddle; 29056, 26th January.
 Brown, J. E. C., Otekaieke, New Zealand; horse-saddle; 29057, 26th January.
 Brown, W. E., Moutere, New Zealand; milk-separator; 29052, 26th January; (23, 23rd March).
 Bruno, A., Leongatha, Victoria; bedstead folding-frame; 28715, 10th November, 1910; (23, 23rd March).
 Bryant, G., and another, Leicester, England (see United Shoe Machinery Company, No. 29077).

APPLICANTS FOR LETTERS PATENT—*continued.*

Bryant, P. E. (see H. R. Jenkins, No. 28960).
 Budge, M. E., Christchurch, New Zealand; broom; 29333, 27th March.
 Budge, M. E., Christchurch, New Zealand; children's knickers; 29334, 27th March.
 Budge, M. E., Christchurch, New Zealand; mouth breathing in children prevention; 29335, 27th March.
 Budge, M. E., Christchurch, New Zealand; stocking-support; 29356, 31st March.
 Burn, R., Wellington, New Zealand; address-tags-printing machine; 29027, 20th January; (12, 9th February).
 Busell, J. N., Boston, United States America (see United Shoe Machinery Company, No. 27784).
 Byrne, J., Wynyard, Tasmania; fireplace, &c.; 29072, 1st February; (23, 23rd March).
 Cahen, H. N., London, England; shoe-bow, &c., attaching; 29035, 24th January; (15, 23rd February).
 Campbell, A., Dunedin, New Zealand; hat-pin; 28995, 13th January; (12, 9th February).
 Cane, H. E., and another; Caulfield, Victoria; kerosene-tin, &c., sling; 29263, 15th March; (37, 4th May).
 Caney, J. H., Tariki, New Zealand; horse-shoe; 29266, 15th March.
 Carey, H. R., Karori, New Zealand; firebridge-construction; 29207, 2nd March; (28, 6th April).
 Carey, W. P., Invercargill, New Zealand; handle-securing to saw-blade; 28997, 16th January.
 Carling, W. T., Guildford, England; water-heating attachment to stove; 28998, 17th January.
 Caspar, E., Invercargill, New Zealand; lime-kiln; 29193, 1st March; (28, 6th April).
 Casper, E., Invercargill, New Zealand; lime-kiln; 29285, 16th March; (28, 6th April).
 Caverhill, F. J. S., Christchurch, New Zealand; sheep-shearing machine; 27798, 30th May, 1910; (23, 23rd March).
 Cavill, G. T., Surry Hills, New South Wales; change-speed spur and clutch gearing; 28954, 6th January; (15, 23rd February).
 Celsing (see Von Celsing).
 Chamberlain, W. E., Masterton, New Zealand; account-book; 29154, 21st February; (33, 20th April).
 Chenhall, J. W., Totnes, England; crucible-furnace; 29191, 1st March.
 Christie, C., Sydney, New South Wales; earth-excavator; (H. R. M. Whittell); 29040, 25th January; (15, 23rd February).
 Christie, C., Sydney, New South Wales; ore-classifier, &c.; 29041, 14th September, 1910.
 Christie, C., Sydney, New South Wales; crane; (H. R. M. Whittell); 29042, 1st December, 1910.
 Clark, J. S., Wanganui, New Zealand; bicycle-dressguard; 29234, 8th March; (33, 20th April).
 Clarke, W., Oamaru, New Zealand; pasteurizer; 28989, 13th January; (12, 9th February).
 Clarke, W. H., and another, Auckland, New Zealand; railway-alarm; 29161, 21st February.
 Clegg, C., Sockburn, New Zealand; lifting-jack; 29174, 23rd February; (28, 6th April).
 Clement, J., and another, Paris, France; separating metallic particles; 28418, 13th September, 1910; (12, 9th February).
 Clemett, A. D., and another, Foxton, New Zealand; crate; 29298, 21st March.
 Clemett, A. D., and another, Foxton, New Zealand; telephone-mouthpiece disinfectant; 29299, 21st March.
 Cluett, G. E., Toko, New Zealand; fencing-dropper; 27762, 21st May, 1910; (23, 23rd March).
 Clydesdale, W. C. S., Dunedin, New Zealand; sash hanger and lock; 29251, 13th March; (37, 4th May).
 Collins, G. E., Napier, New Zealand; chair-adjustment; 29212, 3rd March.
 Collins, R., and another, New Plymouth, New Zealand; milking-machine; 29215, 3rd March; (28, 6th April).
 Collinson, C. W., and another, Baildon, England; sheep-marking composition; 28983, 10th January; (18, 9th March).
 Collinson, R. W., and another, Norwich, England; sheep-marking composition; 28983, 10th January; (18, 9th March).
 Colombier (see De Colombier, No. 28418).
 Connell, R., Christchurch, New Zealand; tire-inflator; 28969, 9th January; (7, 26th January).
 Conner, H. M., Chicago, United States America (see Standard Light Company, No. 29130).
 Cooke, C. J., and others, London, England; rail-joint; 29033, 24th January; (15, 23rd February).
 Cooney, F. E., Otahuhu, New Zealand; window-catch; 29068, 28th January; (15, 23rd February).

APPLICANTS FOR LETTERS PATENT—*continued.*

Cooper, C., Mangatoki, New Zealand; valve for milk-froth prevention; 29119, 13th February; (18, 9th March).
 Cooper, C., Mangatoki, New Zealand; steam-jet silencer; 29120, 13th February; (23, 23rd March).
 Cooper, J. G., and another, Auckland, New Zealand; statement-form, &c.; 29282, 18th March.
 Cooper, J. J., Onehunga, New Zealand; cow's tail holder; 29138, 14th February; (28, 6th April).
 Copley, E. A., and others, Christchurch, New Zealand; tire-shield; 29220, 3rd March; (28, 6th April).
 Corringham, H. A., and another, Auckland, New Zealand; hat-pin; 28921, 22nd December, 1910; (7, 20th January).
 Coulthard, J., Ngaurawahia, New Zealand; handle-machine; 29229, 6th March; (23, 23rd March).
 Cowie, A. P., Northcote, New Zealand; safety hook; 29116, 9th February; (28, 6th April).
 Cowling, E., Sydney, New South Wales; hair-frame; 29137, 15th February; (28, 6th April).
 Coxhead, W. J., and another, Waitakaruru, New Zealand; washing-fluid; 29239, 10th March.
 Coyne, P., Hukerenui, New Zealand; animal-brand; 29277, 16th March.
 Crane, C., Hawera, New Zealand; post-card; 28992, 14th January.
 Craw, G., Linton, New Zealand; flax-washing; 29214, 3rd March; (23, 23rd March).
 Crew, H. C. (see C. B. S. Wunderlich, No. 28766).
 Crowe, E. P., Marnoo, Victoria; post-base block; 29231, 8th March; (28, 6th April).
 Currie, F., Hamilton, New Zealand; account-book; 28922, 22nd December, 1910; (7, 26th January).
 Currie, S. D., Te Aroha, New Zealand; power-transmission from explosive engine; 28926, 24th December, 1910; (7, 26th January).
 Currie, S. D., Te Aroha, New Zealand; teat-cup; 28927, 24th December, 1910; (7, 26th January).
 Custer, D. W., Sydney, New South Wales; carbon-dissolvent; (A. Rea); 29046, 25th January; (18, 9th March).
 Dalen, G., and others (see Mjolkkningsmaskin Aktiebolaget, No. 28957).
 Dalziel, W., Blenheim, New Zealand; potato-digger; 28967, 10th January; (18, 9th March).
 Dane, W. F., and another, Braeburn, New Zealand; fruit-case, &c.; 29053, 26th January; (15, 23rd February).
 Dapino, E., London, England; gas-generation; 29034, 24th January; (23, 23rd March).
 Davies, G. L., and another, London, England; liquid-hydrocarbon treatment; 29010, 18th January; (12, 9th February).
 Davies, H. W., Wellington, New Zealand; bath, &c., water heater; 29122, 13th February; (18, 9th March).
 Davies, T. H., and others, Christchurch, New Zealand; tire-shield; 29220, 3rd March; (28, 6th April).
 Davy, F., and others, Spruit, Transvaal; gold-extraction; 29296, 21st March; (28, 6th April).
 Davy, R., and others, Spruit, Transvaal; gold-extraction; 29296, 21st March; (28, 6th April).
 Daysh, N. J., Carterton, New Zealand; teat-cup; 27601, 21st April, 1910; (7, 26th January).
 Daysh, N. J., Carterton, New Zealand; milking-machine pulsator; 27514, 2nd April, 1910; (15, 23rd February).
 Deards, W., Wellington, New Zealand; fire-lighter; 29175, 24th February; (28, 6th April).
 De Colombier, M. de R., and another, Paris, France, separating metallic particles; 28418, 13th September, 1910; (12, 9th February).
 Deimel, J., Berlin, Germany; igniter through a spark; 29196, 1st March; (28, 6th April).
 Delvigne, M., Namur, Belgium; explosive; 27610, 21st April, 1910; (15, 23rd February).
 De Montalk, R. W., Auckland, New Zealand; building-construction; 29223, 6th March; (28, 6th April).
 De Renzy, J., and another, Auckland, New Zealand; fuel, &c., economizer; 29150, 16th February; (18, 9th March).
 Dewhirst, J. A., and another, Kotuku, New Zealand; saw-bench feed-mechanism; 28972, 10th January; (12, 9th February).
 Dillicar, J., Taneatua, New Zealand; ear-mark; 27868, 10th June, 1910; (28, 6th April).
 Diplock, B. J., Fulham, England; road vehicle; 28999, 17th January; (15, 23rd February).
 Dixon, F., and another, Maitaia, New Zealand; gear-wheel for traction-engine; 28933, 29th December, 1910; (7, 26th January).
 Dixon, T., and another, Maitaia, New Zealand; gear-wheel for traction-engine; 28933, 29th December, 1910; (7, 26th January).

APPLICANTS FOR LETTERS PATENT—*continued.*

Donald, B. I., and another, London, England; elevator and conveyor; 29330, 28th March; (37, 4th May).
 Donald, J. W., Bunnythorpe, New Zealand; milking-machine bucket; 29317, 23rd March.
 Donald, L. S., and others, Auckland, New Zealand; envelope-opener; 29242, 9th March; (37, 4th May).
 Donald, L. S., and others, Auckland, New Zealand; de-alcoholization of beer; 29243, 9th March.
 Donald, P. G., and another, London, England; elevator and conveyor; 29330, 28th March; (37, 4th May).
 Doudney, R. P., Faringdon, England; carburetter; 28941, 4th January; (12, 9th February).
 Dowden, F. H., Wellington, New Zealand; puncture-closing composition; 29164, 23rd February; (28, 6th April).
 Drage, J., Boulder, West Australia; filtering-machine; 28882, 21st February, 1910; (7, 26th January).
 Duncun, C. W., and another, Carnarvon, New Zealand; hat-pin-point protector; 29142, 16th February; (23, 23rd March).
 Duryea, O. C., and another, Chicago, United States America; briquetting-apparatus; 29111, 7th February; (23, 23rd March).
 Earl, M., Otaio, New Zealand; plough-skeith securing to beam; 29244, 11th March.
 Earp-Thomas, H. W., Wellington, New Zealand; stirring-contrivance; 27586, 19th April, 1910; (7, 26th January).
 Easterfield, T. H., and another, Wellington, New Zealand; preparation of ketones; 27607, 21st April, 1910; (23, 23rd March).
 Eaton, H. H., Beverly, United States America; boot-press; 29078, 2nd March, 1910; (18, 9th March).
 Edwards, B., and another, Pinnaroo, South Australia; fence-post; 29311, 22nd March; (33, 20th April).
 Edwards, T., Ballarat, Victoria; treating metalliferous material; 29071, 1st February; (15, 23rd February).
 Eichengruen, A., Berlin, Germany; celluloid production; 29002, 17th January; (12, 9th February).
 Elliott, M., Wellington, New Zealand; acetylene-generator; 29050, 26th January; (23, 23rd March).
 Endri, A., Palmerston North, New Zealand; scaffolding; 29353, 31st March.
 Esson, J., and another, Johannesburg, Transvaal; tire-inflating; 29026, 28th February, 1910.†
 Evans, H. E., London, England; lamp-holder; 29000, 17th January, 1910; (12, 9th February).
 Evans, W. T., and others, Glasgow, Scotland; electric igniter; 28128, 19th July, 1910; (15, 23rd February).
 Expanded Metal Company, Limited, Westminster, England; metal-manufacture; (H. Salmon); 29093, 1st February; (18, 9th March).
 Fear, F. J. W., Wellington, New Zealand; scissors, &c.; 28950, 5th January.
 Ferguson, A. C., and another, Wellington, New Zealand; stone, &c., cutter; 29249, 13th March; (37, 4th May).
 Frost, J. E., and others, Wellington, New Zealand (see Globe Printing Company, No. 29121).
 Fian, D. H., Dunedin, New Zealand; tank-cleaner; 28606, 15th October, 1910; (15, 23rd February).
 Field, F. A., Parnell, New Zealand; needle, bodkin, &c.; 29095, 2nd February.
 Findlay, W., and another, Grey Lynn, New Zealand; fishing-line; 29241, 9th March.
 Firth, A. T., and others, Auckland, New Zealand; envelope-opener; 29242, 9th March; (37, 4th May).
 Firth, A. T., and others, Auckland, New Zealand; de-alcoholization of beer; 29243, 9th March.
 Firth, E. T. C., Auckland, New Zealand; wind and water motor; 28996, 13th January.
 Flintoff, T., Fremantle, West Australia; window-sash; 29272, 15th March; (37, 4th May).
 Flood, W., Enmore, New South Wales; gate, &c., lock; 28976, 11th January; (33, 20th April).
 Flursheim, B. J., Rushmoor, England; explosive; 29101, 17th February, 1910.†
 Foley, J., Revere, United States America (see United Shoe Machinery Company, No. 29075).
 Forbes, A. J., Leigh Creek, New Zealand; sprayer; 29308, 22nd March; (28, 6th April).
 Forscutt, S. B., Dunedin, New Zealand; target; 29036, 23rd January; (18, 9th March).
 Forscutt, S. B., Dunedin, New Zealand; boot-heel; 29177, 23rd February.
 Fotheringham, J., and others, Launceston, Tasmania; fruit-picking bag; 29098, 7th February; (18, 9th March).
 Fotheringham, W., and others, Launceston, Tasmania; fruit-picking bag; 29098, 7th February; (18, 9th March).*

APPLICANTS FOR LETTERS PATENT—*continued.*

- Fraser, K. McK., Otakeho, New Zealand; aeroplane; 27491, 31st March, 1910; (12, 9th February).
- Fry, H. A., Umukuri, New Zealand; acetylene-generator; 29143, 16th February; (128, 6th April).*
- Fry, R. J., Kensington, Victoria; horse-shoe machine; 28547, 23rd December, 1909†; (18, 9th March).
- Fry, R. J., Kensington, Victoria; manufacturing plough-shares; 29310, 22nd March; (28, 6th April).
- Gaiger, W. W., Timaru, New Zealand; threshing-mill concave strip; 27968, 22nd June, 1910; (28, 6th April).
- Garlick, W., Manchester, England; coin-freed-towel storing; 29255, 14th March.
- Geake, W. H. G., Sydney, New South Wales; shirt-manufacture; 29329, 28th March; (28, 6th April).*
- Gee, W. C., and another, Wellington, New Zealand; sun-blind; 29345, 30th March.
- Gilbert, E. du V., Hamilton, New Zealand; milking-machine bucket; 29160, 21st February; (28, 6th April).*
- Gilmour, J., Gisborne, New Zealand; repairing water-pipe; 28919, 23rd December, 1910; (12, 9th February).*
- Gilruth, J. G., Melbourne, Victoria; gas-manufacture; 29047, 25th January; (23, 23rd March).
- Giraud, V. F., Palmerston North, New Zealand; teat-cup; 29023, 18th January; (12, 9th February).*
- Glanville, L., Southbridge, New Zealand; wheel mitre exhaust-valve; 29105, 7th February.
- Glidden, L. L., Natick, United States America (see United Shoe Machinery Company, No. 28944).
- Globe Printing Company, Limited, Wellington, New Zealand; printing, perforating, &c., machine (A. Packer, J. C. Ffrost, and S. Salek); 29121, 13th February; (23, 23rd March).
- Glover, T. D., and others, Wellington, New Zealand; flushing-apparatus; 29013, 18th January; (15, 23rd February).*
- Gloyn, W., Whangarei, New Zealand; lifting-bridge; 29288, 20th March.
- Godfree, E. G., Sandringham, Victoria; water-sprinkler; 29131, 15th February.
- Godfrey, W., and another, Wellington, New Zealand; sun-blind; 29345, 30th March; (33, 20th April).
- Godward, E. R., Invercargill, New Zealand; belt-fastener; 29332, 27th March; (33, 20th April).*
- Goette, E. L. W., Clifton Hill, Victoria; nose-bag; 29014, 18th January; (12, 9th February).
- Good Inventions Company, New York, United States America; combing-machine (J. Good); 28928, 24th December, 1910; (15, 23rd February).
- Good, J., New York, United States America; (see Good Inventions Company, No. 28928).
- Goss, F., Millicent, South Australia; alarm-clock; 28879, 15th December, 1910; (7, 26th January).
- Graham, E. P., and others, Dunedin, New Zealand; water-level and gauge-cock; 28891, 14th December, 1910; (12, 9th February).
- Graham, J. H., Christchurch, New Zealand; tramway-point operating; 29178, 24th February; (28, 6th April).*
- Grant, A. J., Maungaturoto, New Zealand; vehicle-brake; 29167, 24th February.
- Grant, J., Wellington, New Zealand; fencing-dropper; 29066, 30th January.
- Gray, G., Dunedin, New Zealand; ridging-machine; 27619, 21st April, 1910; (12, 9th February).
- Greenslade, J., Prebbleton, New Zealand; threshing-machine; 29090, 31st January; (15, 23rd February).*
- Grey, C. D., and another, Auckland, New Zealand; packing-case lining; 28068, 12th July, 1910; (15, 23rd February).
- Griffiths, E. W., New Plymouth, New Zealand; book-marker; 29146, 14th February; (28, 6th April).*
- Gulleford, R. H., St. Albans, New Zealand; boot-heel grip; 29012, 18th January; (15, 23rd February).*
- Gummer, L. E., Auckland, New Zealand; floor-mat securing in position; 29283, 16th March; (33, 20th April).*
- Gunn, J. W., Waikaiti, New Zealand; hat-pin-point protector; 29227, 2nd March; (28, 6th April).
- Gurr, T. S., and another, Dunedin, New Zealand; cooking-range attachment; 29098, 3rd February.
- Gurr, T. S., and another, Dunedin, New Zealand; railway-signal; 29246, 9th March; (16, 28th April).*
- Hadaway, J. B., Swampscott, United States America (see United Shoe Machinery Company, Nos. 29076, 29305).
- Haeseler, C. H., Philadelphia, United States America (see McKiernan-Terry Drill Company, No. 29099).
- Hainsworth, A. J., Wellington, New Zealand; electrical heater; 29327, 27th March; (33, 20th April).*
- Hall, J. W., and another, Auckland, New Zealand; non-refillable bottle; 28900, 17th December, 1910; (18, 9th March).

APPLICANTS FOR LETTERS PATENT—*continued.*

- Hamilton, W. L., Glasgow, Scotland; aerial railway; 28965, 13th January, 1910.†
- Hamn, L. G., Manaia, New Zealand; boot sole and heel; 28760, 10th December, 1910; (7, 26th January).*
- Hansen, A. H., Manaia, New Zealand; pasteurizer; 28650, 31st October, 1910; (15, 23rd February).
- Hansen, A. H., Manaia, New Zealand; pasteurizer; 28876, 15th December, 1910; (15, 23rd February).
- Hansen, E. L., and another, Te Araroa, New Zealand; clothes-peg; 28977, 11th January.
- Hansen, G., Lakeside, New Zealand; bottle-crate; 29043, 25th January; (12, 9th February).
- Hardy, M. W., Narrabri, New South Wales; rubber-faced marble; 29273, 15th March.
- Harley, G., and another, Moutere, New Zealand; case and filler; 29316, 23rd March.
- Hart, W. S., Gisborne, New Zealand (see J. H. Ormond, No. 29064).
- Hawke, J. D., and another, Auckland, New Zealand; hat-pin-point protector; 29237, 9th March.
- Haworth, R. D., and another, Wellington, New Zealand; packing-case lining; 28068, 12th July, 1910; (15, 23rd February).
- Hayes, E., Oturehua, New Zealand; gate-hanger; 29055, 26th January; (15, 23rd February).*
- Hayes, E., Oturehua, New Zealand; wire-grip; 28775, 24th November, 1910; (7, 26th January).
- Head, Wrightson, and Co., Limited, and another, Thornaby-on-Tees, England; washing coal; 28929, 29th December, 1910; (7, 26th January).
- Hebblewhite, W. R., Sydney, New South Wales; railway-coupling; 28984, 12th January, 1910†; (7, 26th January).
- Henrichsen, C. V., Copenhagen, Denmark; milking-machine pulsator; 29224, 7th March; (28, 6th April).
- Henshaw, E., Wellington, New Zealand; spoke-brush; 29003, 17th January; (23, 23rd March).*
- Hercus, J., and others, Dunedin, New Zealand; water-level and gauge-cock; 28891, 14th December, 1910; (12, 9th February).
- Herrold, A. B., Auckland, New Zealand; fanlight, &c.; 28890, 17th December, 1910; (12, 9th February).*
- Hesse, A., and another, Auckland, New Zealand; railway-alarm; 29161, 21st February.
- Hewett, H. O., and another, Wellington, New Zealand; knitting-machine; 27157, 13th January, 1910; (2, 12th January).
- Hewish, J. S., St. Kilda, Victoria; kerosene-tin, &c., sling; 29263, 15th March; (37, 4th May).
- Hewitt, H. H., London, England; mineral-water manufacture; 29304, 22nd March; (28, 6th April).*
- Hicks, J. W., Melbourne, Victoria; clothes-peg; 28955, 6th January; (7, 26th January).
- Higgie, T., and another, Wanganui, New Zealand; crowbar; 29028, 19th January.
- Higgins, M. J., Melbourne, Victoria; race-starter; 29213, 3rd March; (28, 6th April).
- Hill, G. S., Stratford, United States America (see United Shoe Machinery Company, No. 29018).
- Hill, R. P., Auckland, New Zealand; pipe or hose coupling; 29084, 30th January; (23, 23rd March).*
- Hill, R. P., Auckland, New Zealand; pipe-cleaning; 29156, 20th February.
- Hines, J., St. Leonards-on-Sea, England; treating stone, &c., for roads; 28735, 15th November, 1910; (15, 23rd February).
- Hobbs, R. J., and another, Dunedin, New Zealand; railway-signal; 29246, 9th March; (28, 6th April).*
- Hodge, E., Christchurch, New Zealand; wood-turning machine; 29287, 17th March.
- Hodson, H., Brisbane, Queensland; enumerating-machines; 28931, 29th December, 1910; (7, 26th January).
- Holden, A., Christchurch, New Zealand; oil-separator; (J. H. Sledon and H. Barnes); 28923, 22nd December, 1910; (12, 9th February).
- Holden, A., Christchurch, New Zealand; writing-tablet; 28924, 21st December, 1910; (12, 9th February).
- Holden, F., Frankton Junction, New Zealand; hat-pin; 28971, 10th January.
- Hollebon, J., Milton, New Zealand; dropper; 29247, 10th March.
- Holloway, F., and another, Wanganui, New Zealand; furniture-polish; 29320, 24th March.
- Holm, S., Wellington, New Zealand; lamp-chimney attachment; 27761, 21st May, 1910; (23, 23rd March).
- Holmes, G. G., jun., and another, Pigeon Bay, New Zealand; lawn-mower attachment; 28910, 19th December, 1910; (12, 9th February).*
- Honour, C., New Westminster, British Columbia; can containing and pouring vessel; 29091, 2nd February; (28, 6th April).

APPLICANTS FOR LETTERS PATENT—*continued.*

Honywood, G., Dunedin, New Zealand; pulverizing-machine; 27570, 14th April, 1910; (15, 23rd February).
 Hope, W. J., and another, Masterton, New Zealand; ironing-board; 29097, 6th February; (18, 9th March).
 Horstmann, S. A., Bath, England; vehicle-wheel; 29192, 7th March, 1910†; (28, 6th April).
 Houliker, W., Nelson, New Zealand; manufacturing casks; 28905, 20th December, 1910; (7, 26th January).
 Houghton, D. B., Melbourne, Victoria (see P. M. M. Houghton, No. 29309).
 Houghton, P. M. M., Essendon, Victoria; music-leaf turner; (D. B. Houghton); 29309, 22nd March.
 Howard, J. R., Greatford, New Zealand; telephone system; 29030, 21st January; (15, 23rd February).
 Howard, J. R., Greatford, New Zealand; telephone system; 29132, 15th February; (23, 23rd March).
 Huber, A., Kaponga, New Zealand; milk-can; 28898, 19th December, 1910; (7, 26th January).
 Hudson, F., Malvern, Victoria; table-top; 28916, 21st December, 1910; (7, 20th January).
 Hunter, J. D., Dunedin, New Zealand; pasteurizer; 29005, 14th January; (12, 9th February).
 Hutcheson, J. A., and another, St. Kilda, New Zealand; cooking-range attachment; 29096, 3rd February.
 Hutchinson, A. G., Wellington, New Zealand (see Levin and Co., Limited, No. 29153).
 Hutchinson, G., Christchurch, New Zealand; seed-sower; 27553, 9th April, 1910; (12, 9th February).
 Hutchinson, G. W., Walton, New Zealand; internal-combustion engine; 29061, 27th January; (23, 23rd March).
 Hutchinson, G. W., Walton, New Zealand; sparking-regulator; 29168, 24th February; (28, 6th April).
 Hyde, H. E., Arataha, New Zealand; wire-straining gear; 29004, 13th January; (12, 9th February).
 Ingram, C., Waimauka, New Zealand; brick-kiln; 27643, 27th April, 1910; (15, 23rd February).
 Ingram, J., Richmond, New Zealand; milk-separator; 28899, 19th December, 1910; (12, 9th February).
 International Manufacturing Company, Wilmington, United States America; furnace-draught; (J. H. Parsons); 28988, 11th January; (12, 9th February).
 Jacobsen, T. B., Auckland, New Zealand; aerial ship; 29029, 21st January; (15, 23rd February).
 James, A. J., Christchurch, New Zealand; cycle-pump connection; 28975, 10th January.
 Jeffreys, S., and another, Auckland, New Zealand; reinforced-concrete slab; 28788, 25th November, 1910; (15, 23rd February).
 Jenkins, H. R., Eltham, New Zealand; milk-sampler; (P. E. Bryant); 28960, 7th January; (12, 9th February).
 Joel, W. C., Melbourne, Victoria; flashing-gas sign; 29235, 9th March; (28, 6th April).
 Johanson, C., Hokitika, New Zealand; candle-extinguisher; 29252, 13th March; (37, 4th May).
 Johnson, A. H., and others, Epsom, England; rail-joint; 29033, 24th January; (15, 23rd February).
 Johnson, A. E., Beverly, United States America (see United Shoe Machinery Company, No. 29344).
 Johnston, A., and others, Wellington, New Zealand; flushing-apparatus; 29013, 18th January; (15, 23rd February).
 Johnston, G., Glasgow, Scotland; filtering-apparatus; 28901, 20th December, 1910; (7, 26th January).
 Johnston, G., Glasgow, Scotland; crushing ore, &c.; 28902, 20th December, 1910; (7, 26th January).
 Johnstone, J. C., Boksburg North, Transvaal; pulley or idler; 28462, 20th September, 1910; (12, 9th February).
 Jones, G., Dunedin, New Zealand; washing-boiler circulator; 29208, 28th February.
 Jones, G. V., and another, Auckland, New Zealand; extractor-attachment to beer-cask; 29054, 26th January; (15, 23rd February).
 Jones, H. G., and another, Auckland, New Zealand; extractor-attachment to beer-cask; 29054, 26th January; (15, 23rd February).
 Joseph, J. A., Birchfield, New Zealand; railway-fishplate; 29248, 13th March.
 Joughin, R., Matamata, New Zealand; creating a vacuum; 28874, 14th December, 1910; (7, 26th January).
 Joy, W. G., Auckland, New Zealand; flax-crusher; 29261, 13th March; (37, 4th May).
 Joy, W. G., and another, Auckland, New Zealand; hat-pin; 28921, 22nd December, 1910; (7, 26th January).
 Joyce, J. J., Stanmore, New South Wales; textile-bag manufacture; 27270, 15th March.
 Juriss, A., Oamaru, New Zealand; rudder Y joint; 29292, 16th March; (28, 6th April).
 Juriss, A., Oamaru, New Zealand; train-stop; 29338, 28th March; (37, 4th May).

APPLICANTS FOR LETTERS PATENT—*continued.*

Kaveney, J., Ashburton, New Zealand; hat-pin-point protector; 29080, 1st February; (18, 9th March).
 Keesing, H. M., Auckland, New Zealand; grate; 29127, 13th February; (23, 23rd March).
 Kelly, G., and another, Wanganui, New Zealand; furniture-polish; 29320, 24th March.
 Keppel, J. J., Dunedin, New Zealand; flax-stripper; 27759, 18th May, 1910; (28, 6th April).
 Keppel, J. J., Dunedin, New Zealand; flax-blade sorter; 29037, 24th January; (15, 23rd February).
 Kidd, T., Invercargill, New Zealand; milking-apparatus; 28893, 16th December, 1910 (7, 26th January).
 Kilchmann, A., and another, Sydney, New South Wales; cash-carrier; 29088, 1st February; (23, 23rd March).
 King, A. T., Fairlie, New Zealand; railway-car coupling; 29089, 31st January; (23, 23rd March).
 King, A. T., Fairlie, New Zealand; railway-car coupling; 29318, 23rd March; (28, 6th April).
 Kirkwood, J. C. P., Wellington, New Zealand; water-heater; 27670, 3rd May, 1910; (28, 6th April).
 Kramer (see Von Kramer).
 Kreissig, M. O., Wellington, New Zealand; show-case; 29134, 15th February; (28, 6th April).
 Kviborg, V., Putaruru, New Zealand; nut-lock; 28208, 4th August; (18, 9th March).
 Lange, H., Kiel, Germany (see E. Phillips, No. 29166).
 Lanston Monotype Corporation, Limited, and another, London, England (see Monotype Machine (Colonial Patents) Syndicate, Limited, No. 29074).
 Lauchlan, G., Wellington, New Zealand; electric water-heater; 29133, 15th February; (28, 6th April).
 Law, C. J., Balmain, New South Wales; speed driving-gear; 29342, 29th March.
 Lawrence, S., Kaikorai, New Zealand; aerial propeller; 29063, 26th January; (15, 23rd February).
 Lawrence, S., Kaikorai, New Zealand; cot; 29179, 24th February; (28, 6th April).
 Lee, H. W., and another, Mount Morgan, Queensland; mine-alarm; 28942, 4th January.
 Levin, A., Carlton, Victoria; food-preserving; 29049, 25th May, 1910.†
 Levin and Co., Limited, Wellington, New Zealand; shearing-machine; (A. G. Hutchinson); 29153, 21st February; (37, 4th May).
 Lewis, W., Sydney, New South Wales; footwear-treatment; 29001, 17th January.
 Liardet, E. P. E., and another, Auckland, New Zealand; hat-pin shield; 29180, 23rd February; (28, 6th April).
 Liggins, J., Tokomaru, New Zealand; flax-scutter; 28445, 17th September, 1910; (23, 23rd March).
 Lind, W. S., Wanganui, New Zealand; attaching traces to hames; 28990, 13th January; (12, 9th February).
 Lindley, T. H., and another, Cedar Rapids, United States America; rotary engine; 29211, 28th February; (28, 6th April).
 Lindon, T., and another, Lake Bolac, Victoria; harness; 29045, 25th January; (15, 23rd February).
 Lindsay, H. E., Christchurch, New Zealand; correspondence arrangement; 29092, 1st February.
 Lingard, W., Wellington, New Zealand; pneumatic stand or seat; 29206, 2nd March; (28, 6th April).
 Lofthouse, J. M., and another, Perth, West Australia; air-gas carburetter; 29271, 15th March; (33, 20th April).
 Lumière, L., Lyons, France; acoustical instrument; 28917, 6th December, 1909†; (28, 6th April).
 Lumière, L., Lyons, France; acoustical instrument; 28940, 6th January, 1910†; (28, 6th April).
 Lumière, L., Lyons, France; acoustical instrument; 29086, 1st February, 1910†; (28, 6th April).
 Lumière, L., Lyons, France; acoustical instrument; 29087, 3rd March, 1910†; (28, 6th April).
 Lund, T., Beverley, United States America (see United Shoe Machinery Company, Nos. 28060, 28061).
 Lungley, C. F., Melbourne, Victoria; steel, &c., preservation compound; 29163, 23rd February; (28, 6th April).
 Lutz, E. F., Christchurch, New Zealand; directory; 28962, 7th January; (12, 9th February).
 Lyons, J. F. W., Dunedin, New Zealand; hat-pin; 29185, 27th February; (28, 6th April).
 Lyttle, S. A., and another, Dunedin, New Zealand; flax-blade sorter; 29037, 24th January; (15, 23rd February).
 McAuslin, D., Mosgiel, New Zealand; boat; 29020, 17th January.
 McCarthy, M. J. N., Wellington, New Zealand; brush-manufacture; 29221; (33, 20th April).
 McCarthy, M. J. N., Wellington, New Zealand; fibre or hair brush; 29240, 10th March.
 McCourt, C. D., and others, London, England; liquid-heating; 29123, 12th February, 1910.†

APPLICANTS FOR LETTERS PATENT—*continued.*

- McCrae, D., Wellington, New Zealand; bedding; 28959, 6th January; (7, 20th January).*
- McDermott, P., and another, Drysdale, Victoria; plough share and point; 29232, 8th March.
- McDermott, T., and another, Drysdale, Victoria; plough share and point; 29232, 8th March.
- Macdonald, A., Dunedin, New Zealand; tool for cutting holes in tin; 28144, 25th July, 1910; (12, 9th February).
- McDonald, A., and another, Dunedin, New Zealand; wheel; 28994, 14th January; (12, 9th February).
- McDonald, H., Putaruru, New Zealand; nut-lock; 29222, 6th March; (37, 4th May).
- McDonald, H., Putaruru, New Zealand; nut-lock; 29291, 20th March.
- McDonell, C., and another, Taihape, New Zealand; wire-strainer; 29140, 16th February; (23, 23rd March).*
- McDonell, C., Taihape, New Zealand; washing-machine; (F. McGarthy); 29354, 31st March.
- McElroy-Shepherd Company, Whitestone, United States America; concrete-mixing, &c.; (C. E. Akeley); 29228, 4th March; (28, 6th April).
- McFarlane, C. S., Auckland, New Zealand; hydrocarbon-oil production; 29173, 22nd February; (28, 6th April).*
- McFarlane, D. W., Dunedin, New Zealand; gold-saving; 29337, 29th March.
- McFeely, R. F., Beverly, United States America (see United Shoe Machinery Company, No. 29199).
- McGann, T., and another, Mortlake, Victoria; window-fastener; 29343, 29th March.
- McGarthy, F., and another, Wanganui, New Zealand; wire-strainer; 29140, 16th February; (23, 23rd March).*
- McGarthy, F., Wanganui, New Zealand (see C. McDonell, No. 29354).
- McGregor, A. E., Westport, New Zealand; letter-wrapper; 29274, 13th March; (33, 20th April).*
- McIntosh, A. M., Sydney, New South Wales; aeroplane; 29260, 17th March, 1910†; (37, 4th May).
- McKellar, C. G., Christchurch, New Zealand; closet-basin; 28970, 9th January; (12, 9th February).
- McKellar, C. G., Christchurch, New Zealand; flushing-system; 29006, 17th January; (15, 23rd February).*
- McKellar, C. G., Christchurch, New Zealand; water-waste preventer; 29022, 18th January; (12, 9th February).
- McKellar, C. G., Christchurch, New Zealand; closet-basin; 29145, 15th February; (23, 23rd March).
- McKellar, C. G., Christchurch, New Zealand; cycle-wheel fittings; 29182, 25th February; (33, 6th April).
- McKellar, C. G., Christchurch, New Zealand; cycle-chain adjuster; 29188, 27th February; (33, 20th April).
- McKellar, C. G., Christchurch, New Zealand; float-valves; 28781, 23rd November, 1910; (7, 26th January).
- McKellar, C. G., Christchurch, New Zealand; cycle-wheel fittings; 29315, 22nd March; (33, 20th April).
- McKenzie and Holland, Limited, and another, London, England; signal-operating apparatus; 29124, 1st July, 1910†; (23, 23rd March).
- McKenzie and Holland, Limited, and others, London, England; rail-joint; 29033, 24th January; (15, 23rd February).
- MacKenzie, J. D., and others, Rosetenville, Transvaal; gold-extraction; 29296, 21st March; (28, 6th April).*
- McKiernan-Terry Drill Company, New York, United States America; percussive tool; (C. H. Haeseler); 29099, 7th February; (23, 23rd March).
- McLean, F. R., and another, Waipatiki, New Zealand; sheep-shearing machine; 29297, 21st March.
- McLean, T. D., and another, Wellington, New Zealand; sheep-shearing machine; 29297, 21st March.
- MacLean, C. J., and another, New Plymouth, New Zealand; closet-pan; 26807, 25th October, 1909; (7, 26th January).
- McLeod, A., Auckland, New Zealand; water-heater; 27756, 18th May, 1910; (18, 9th March).
- MacMeikan, J., Melbourne, Victoria; air-circulating apparatus; (R. Rayson); 27639, 27th April, 1910; (18, 9th March).
- McMillan, W., Larkhall, Scotland (see G. Struthers, and J. Brown, No. 29085).
- McNab, N. S., Caulfield, Victoria; stamping, impressing, &c., machine; 29152, 10th March.†
- McNicoll, R. W., Dunedin, New Zealand; brooch-fastener; 28909, 17th December, 1910; (12, 9th February).*
- Macpherson, N. C., Lyttelton, New Zealand; biplane; 29038, 24th January; (15, 23rd February).*
- McRae, D., Wellington, New Zealand; bedding; 28959, 6th January.
- McSwiney, J. F. A., and another, Sydney, New South Wales; cash-carrier; 29088, 1st February; (23, 23rd March).*
- Madero, E. J. M., Buenos Aires, Argentine; rotary engine; 29135, 15th February; (23, 23rd March).

APPLICANTS FOR LETTERS PATENT—*continued.*

- Main, J. E., Christchurch, New Zealand; lawn-edge trimmer; 28866, 12th December, 1910; (7, 26th January).*
- Marchant, S. B., Balaklava, South Australia; wall-construction; 28836, 7th December, 1910; (7, 26th January).
- Marcuse, M. M., Manhattan, United States America (see West Disinfecting Company, No. 29226).
- Marsh, H. F., and another, Little River, New Zealand; seed-threshing, &c., machine; 29021, 18th January.
- Massey, G., Sydney, New South Wales; sheep-shearing machine; 27461, 23rd March, 1910; (12, 9th February).
- May, J., Melbourne, Victoria; cooling of liquids; 28883, 15th December, 1910; (7, 26th January).
- Mayo B. F., Salem, United States America (see United Shoe Machinery Company, Nos. 28947, 28948).
- Mead, J., Eltham, New Zealand; receiving and delivering milk from milking-machine; 29051, 26th January; (18, 9th March).
- Metcalfe, G., Christchurch, New Zealand; wear-resisting material; 28000, 29th June, 1910; (23, 23rd March).
- Meters, F. A., and another, Croydon, South Australia (see A. R. Berrymore, No. 28877).
- Middleton, D. M., and another, Greymouth, New Zealand; saw-bench feed-mechanism; 28972, 10th January; (12, 9th February).
- Mildenhall, T. J., Opunake, New Zealand; horse-cover; 29253, 14th March.
- Millar, F. R., Melbourne, Victoria; soot arrester and collector; 29268, 15th March; (33, 20th April).*
- Millar, F. R., Melbourne, Victoria; boiler-furnace; 29306, 22nd March.
- Millar, F. R., Melbourne, Victoria; furnace; 29307, 22nd March.
- Miller, E. J. M., and another, Waverley, New Zealand; acetylene-generator; 29183, 27th February.
- Miller, E. S., New Westminster, British Columbia; car-fender; 29190, 1st March; (28, 6th April).
- Milson, J. R., Watertown, United States America; wool-cleaner; 28729, 11th November, 1910; (18, 9th March).
- Mjolkkningsmaskin Aktiebolaget, Stockholm, Sweden; milking-machine tubing-coupling device; (E. A. Nilsson); 28956, 6th January; (33, 20th April).
- Mjolkkningsmaskin Aktiebolaget, Stockholm, Sweden; milking-machine; (G. Dalen, H. von Celsing, and M. Storm); 28957, 6th January; (37, 4th May).
- Monotype Machine (Colonial Patents) Syndicate, Limited, London, England; type-casting machine; (F. H. Pierpont and the Lanston Monotype Corporation, Limited); 29074, 1st February; (18, 9th March).
- Montalk (see De Montalk).
- Moore, L. C., Melbourne, Victoria; reinforcing wood boards; 28979, 11th January; (12, 9th February).
- Morford, J. R., and others, London, England; bottle-coverings; 29352, 11th June, 1910.†
- Morrow, J. W., and another, Murrayville, Victoria; fence-post; 29311, 22nd March; (33, 20th April).
- Morton, W., Dunedin, New Zealand; franking-machine; 28920, 21st December, 1910; (7, 26th January).*
- Morton, W., and others, Dunedin New Zealand; water-level and gauge-cock; 28891, 14th December, 1910; (12, 9th February).
- Mosley, J., Stirling, New Zealand; distributing water through pipes; 29281, 18th March.
- Moss, E., Christchurch, New Zealand; clamping spare rim to motor-car; 29062, 26th January; (15, 23rd February).*
- Moss, E., Christchurch, New Zealand; two-way switch; 29216, 2nd March; (28, 6th April).*
- Moss, E., Christchurch, New Zealand; electrical annunciator; 29219, 3rd March; (33, 20th April).*
- Moss, E., Christchurch, New Zealand; franking-machine; 29348, 29th March.
- Moss, J. I., Abbotsford, Victoria; kerosene-tin, &c., cover; 28982, 11th January; (12, 9th February).*
- Moss, V. R., Westport, New Zealand; protecting ends of linoleum; 29323, 23rd March.
- Mosse, C. E. L., and others, Auckland, New Zealand; envelope-opening; 29242, 9th March; (37, 4th May).
- Mosse, C. E. L., and others, Auckland, New Zealand; de-alcoholization of beer; 29243, 9th March.
- Mosse, H. A. M., and others, Auckland, New Zealand; envelope-opening; 29242, 9th March; (37, 4th May).
- Mosse, H. A. M., and others, Auckland, New Zealand; de-alcoholization of beer; 29243, 9th March.
- Moyes, J., and another, Cathcart, Scotland; signalling-apparatus; 29108, 7th March, 1910†; (23, 23rd March).
- Muhleisen, H. W., San Francisco, United States America (see S. and M. Drill Company, No. 27478).
- Muir, R. L., Manhattan, United States America; saw; 28949, 5th January; (12, 9th February).

APPLICANTS FOR LETTERS PATENT—*continued.*

Murdoch, J., Dunedin, New Zealand; trousers, &c.; 27609, 19th April, 1910; (12, 9th February).
 Murie, R. M., Invercargill, New Zealand; illusion apparatus; 29024, 31st January, 1910.†
 Murray, A. C., and others, Timaru, New Zealand; speed-controller, &c.; 28987, 12th January; (7, 20th January).*

Napier, T., Morningside, New Zealand; concrete-post fastener; 29350, 28th March.
 Napier, W. C., Christchurch, New Zealand; ships' engine controller; 29319, 23rd March.
 Neal, C. C., Te Kowhai, New Zealand; milk-strainer; 28421, 13th September, 1910; (18, 9th March).
 Neff, C., and another, Hanover, Germany; preventing incrustation of steam-generators; 27454, 22nd March, 1910; (28, 6th April).
 Neugeschwender, J. J., Timaru, New Zealand; go-cart strap; 28968, 6th January.
 New Zealand Hemp Process and By-products Company, Limited, Foxton, New Zealand; flax-drying; (W. G. Richardson); 28395, 7th September, 1910; (23, 23rd March).*

New Zealand Hemp Process and By-products Company, Limited, Foxton, New Zealand; flax-stripper; (W. G. Richardson); 28396, 7th September, 1910; (23, 23rd March).*

New Zealand Hemp Process and By-products Company, Limited, Foxton, New Zealand; flax-catcher; W. G. Richardson); 28397, 7th September, 1910; (23, 23rd March).*

Newson, S. C., Tottenham, England; internal-combustion engine; 29257, 14th April, 1910†; (33, 20th April).
 Newson, S. C., Tottenham, England; carburetter; 29258, 14th April, 1910.†
 Nicholson, J. S., Drury, New Zealand; deviation from level indicator; 28980, 11th January; (12, 9th February).*
 Nightingall, V., Melbourne, Victoria; electric cooking-appliance and water-heater; 28829, 6th December, 1910; (7, 26th January).
 Nilsson, E. A., Stockholm, Sweden (see Mjolkkningsmaskin Aktiebolaget, No. 28956).
 Nobel's Explosives Company, Limited, and another, Glasgow, Scotland; electric igniter; 28128, 19th July, 1910; (15, 23rd February).
 Norgrove, H., and another, Takapuna, New Zealand; fuel, &c., economizer; 29150, 16th February; (18, 9th March).*
 North, G., Stretford, England; electric meter; 28189, 23rd June, 1910†; (23, 23rd March).
 Nuttall, W. J., Marton, New Zealand; window-sash; 27657, 29th April, 1910; (15, 23rd February).
 Nye, G., Christchurch, New Zealand; picture-displaying; 28871, 13th December, 1910; (7, 26th January).*

Odlin, C. C., and others, Wellington, New Zealand; flushing-apparatus; 29013, 18th January; (15, 23rd February).*
 Oldman, C. A., Waiau, New Zealand; bee-hive dummy; 28981, 11th January; (18, 9th March).*
 Oldman, C. A., Waiau, New Zealand; closing carbide-drums; 28247, 12th August, 1910; (23, 23rd March).
 O'Loughlin, B., Melbourne, Victoria; gas-sign; 29048, 19th August, 1910.†
 Ormond, J. H., Gisborne, New Zealand; filter-cooler; (W. S. Hart); 29064, 27th January; (23, 23rd March).
 Owen, J. E., and another, Auckland, New Zealand; rat-trap; 28991, 13th January; (12, 9th February).

Palmer, S. R., Rotorua, New Zealand; axle-bearing lubricator; 27846, 7th June, 1910; (12, 9th February).
 Palmer, W., and another, Invercargill, New Zealand; rabbit-trap; 29104, 7th February; (23, 23rd March).*
 Parker, A., and others, Wellington, New Zealand (see Globe Printing Company, Limited, No. 29121).
 Parker, W. L., Christchurch, New Zealand; rope-grip; 29300, 21st March.
 Parkinson, A., and another, Auckland, New Zealand; wardrobe; 29262, 15th March.
 Parry, H. T., Christchurch, New Zealand; motor belt-transmission; 29278, 15th March.
 Parsons, J. H., Wilmington, United States America (see International Manufacturing Company, No. 28988).
 Pearce, W. A., and others, West Dalwich, England; signal-operating, &c., apparatus; 29124, 1st July, 1910†; (23, 23rd March).
 Pearl, C. H., and others, Launceston, Tasmania; fruit-picking bag; 29098, 7th February; (18, 9th March).*
 Penney, G. W., Dunedin, New Zealand; branding-apparatus; 27881, 11th June, 1910; (28, 6th April).
 Perry, F. H., Beverley, United States America (see United Shoe Machinery Company, Nos. 28108, 29017, 29201).
 Petaluma Incubator Company, Petaluma, United States America; incubator; (L. C. Boyce); 29079, 1st February.

APPLICANTS FOR LETTERS PATENT—*continued.*

Peters, J., and another, Lake Bolac, Victoria; harness; 29045, 25th January; (15, 23rd February).*

Peterson, W., and another, Westbury, Tasmania; threshing-machine; 28925, 22nd December; (12, 9th February).*

Phelan, V., and another, Dunedin, New Zealand; sunken-vessel locator; 29172, 21st February; (37, 4th May).*

Phillips, E., Melbourne, Victoria; aerial network for wireless telegraphy; (H. Lange); 29166, 21st February; (23, 23rd March).
 Phillips, P. F., Auckland, New Zealand; dental gold-casting; 29355, 30th March.
 Philpott, T. S., and another, Wellington, New Zealand; reinforced-concrete frame; 27687, 5th May, 1910; (15, 23rd February).
 Pickering, L., Ngakawau, New Zealand; clip or grip; 29025, 20th January; (15, 23rd February).
 Pierpont, F. H., and others, Salford, England (see Monotype Machine (Colonial Patents) Syndicate, Limited, No. 29074).
 Pink, L., Berlin, Germany; wall and floor covering; 29136, 15th February.
 Piper, F. W., and another, Auckland, New Zealand; hat-pin-point protector; 29237, 9th March.
 Piper, W. H., and others, Christchurch, New Zealand; pneumatic-tire shield; 29220, 3rd March; (28, 6th April).*
 Pitts, R. G., and another, Mortlake, Victoria; window-fastener; 29343, 29th March.
 Plank, A. A., Blayney, New South Wales; tire; 29016, 19th January; (15, 23rd February).
 Player, C. E., Birkenhead, New Zealand; mat, &c., preventing slipping; 28961, 4th January; (12, 9th February)*; and 18, 9th March).
 Player, C. E., Birkenhead, New Zealand; refrigerating-screen; 29155, 18th February; (33, 20th April).*
 Poole, T. E. B., Borneo (see C. Timms, No. 28968).
 Porter, G., Dunedin, New Zealand; acetylene-gas generator; 29011, 17th January; (12, 9th February).*
 Porter, R. C., Auckland, New Zealand; valve seat and casing; 29032, 20th January; (23, 23rd March).*
 Powell, G. M., Charleston, New Zealand; pile-sinking; 29346, 30th March.
 Pugh, F. W., London, England; glass panel of window, &c.; 29102, 11th February, 1910†; (18, 9th March).

Rawson, W. A., Timaru, New Zealand; dressguard for bicycle; 29039, 25th January; (15, 23rd February).*

Raymond, F. V., Invercargill, New Zealand; flax-dresser; 29347, 30th March.
 Rayson, R., Windsor, Victoria (see J. Macmeikan, No. 27639).
 Rea, A., Zanesville, United States America (see D. W. Custer, No. 29046).
 Reed, W. A., and another, Chelsea, United States America (see United Shoe Machinery Company, No. 29075).
 Rees, E. S. G., Wolverhampton, England; ejector; 28451, 16th September, 1910; (28, 6th April).
 Reeve, L. G., Auckland, New Zealand; pyjama trousers; 29209, 1st March; (28, 6th April).*
 Reeves, W., Henderson, New Zealand; swingletree; 29044, 25th January; (12, 9th February).
 Renzy (see De Renzy).
 Reynolds, C., and another, Te Araroa, New Zealand; clothes-peg; 28977, 11th January.
 Rich, F. A., and another, Auckland, New Zealand; reinforced-concrete slab; 28788, 25th November, 1910; (15, 23rd February).
 Richards, W. E. W., and another, London, England; liquid-hydrocarbon treatment; 29010, 18th January; (12, 9th February).
 Richardson, J., Karamea, New Zealand; wheel-lock and horse-holder; 29238, 9th March.
 Richardson, W. G., Foxton, New Zealand (see New Zealand Hemp Process and By-products Company, Limited, Nos. 28395, 28396, 28397).
 Riddell, W., Dunedin, New Zealand; paraffin-wax coating for cheese; 28756, 17th November, 1910; (7, 26th January).
 Ridge, J., Oroua, New Zealand; non-refillable bottle; 29141, 16th February; (28, 6th April).*
 Riley, A. H., Auckland, New Zealand; billy-can, &c.; 28906, 20th December, 1910; (7, 26th January).
 Riley, A. H., Auckland, New Zealand; tea can and infuser; 29340, 29th March.
 Rison, A. J., and another, Hastings, New Zealand; vehicle-controller; 28586, 15th October, 1910; (23, 23rd March).
 Robertson, A. C., and others, Timaru, New Zealand; speed-controller, &c.; 28987, 12th January; (7, 26th January).*
 Robertson, C., Dunedin, New Zealand; boot; 29225, 4th March.
 Robinson, G. H., and another, London, England; piston-rod, &c., packing; 28952, 22nd January, 1910†; (7, 26th January).
 Roche, H. N., San Francisco, United States America (see F. Bradford, No. 29019).

APPLICANTS FOR LETTERS PATENT—*continued.*

Rodway, J. I., and another, Johannesburg, South Africa; tire-inflating; 29026, 18th February, 1910.

Rome, L., Christchurch, New Zealand; hat-pin-point protector; 29128, 14th February.

Ross, A. Y., Tauranga, New Zealand; operating crank, pawl, and lever-jack; 29069, 31st January; (18, 9th March).*

Rumney, F. A., Somerville, United States America (see United Shoe Machinery Company, No. 28946).

Russell, A. L., and another, Norfolk, United States America (see United Shoe Machinery Company, No. 29076).

Salek, S., and others, Wellington, New Zealand (see Globe Printing Company, Limited, No. 29121).

Salmon, H., Westminster, England (see Expanded Metal Company, Limited, No. 29093).

S. and M. Drill Company, San Francisco, United States America; drilling-apparatus; (H. W. Muhleisen); 27478, 30th March, 1910; (15, 23rd February).

Sanderson, C. J., Mount Roskill, New Zealand; raising or lowering slides, &c.; 28884, 14th December, 1910; (12, 9th February).

Sanderson, R., Melbourne, Victoria; gas-furnace; 28827, 11th January; (7, 26th January).*

Sandiford, T. M., Masterton, New Zealand; gas-lamp lighter, &c.; 28963, 23rd December, 1910; (7, 26th January)*; and 28, 6th April).

Sandlant, W., Gisborne, New Zealand; clothes-peg; 29118, 13th February; (23, 23rd March).*

Scarfe, G., Napier, New Zealand; necktie-frame; 29236, 9th March; (37, 4th May).

Scholtz, R. A. M. J., Nelson, New Zealand; admission and exhaust valve; 29009, 18th January; (12, 9th February).*

Schreier, H., and another, Sheboygan, United States America; rotary engine; 29211, 28th February; (28, 6th April).

Scott Bros., Limited, Christchurch, New Zealand; gas-production; (J. L. and G. Scott); 29197, 28th February; (28, 6th April).*

Scott, G., and another, Christchurch, New Zealand (see Scott Bros., Limited, No. 29197).

Scott, J. L., and another, Christchurch, New Zealand (see Scott Bros., Limited, No. 29197).

Secombe, H. H., Auckland, New Zealand; window-fastener; 29114, 9th February; (23, 23rd March).*

Secombe, H. H., Auckland, New Zealand; window-fastener; 29279, 16th March.

Seifert, A., Masterton, New Zealand; flax gripper and conveyor; 28973, 10th January; (7, 26th January).*

Seifert, A., Masterton, New Zealand; flax-blade-sorting apparatus; 28974, 10th January; (7, 26th January).*

Shadgett, E., Wellington, New Zealand; beverage; 27538, 11th April, 1910; (7, 26th January).

Sharpe, W. C., and another, Louth, England; air-gas production; 29195, 1st March; (23, 23rd March).*

Sharpe, W. C., jun., and another, Louth, England; air-gas production; 29195, 1st March; (23, 23rd March).*

Shaw, L., Sydney, New South Wales; cleansing-preparation; 28978, 11th January; (15, 23rd February).*

Shelton, F. J., Wellington, New Zealand; acetylene-generators; 28608, 19th October, 1910; (7, 26th January).

Sheppey, H. T., and another, Sydney, New South Wales; preserving meat, &c.; 27680, 4th May, 1910; (28, 6th April).

Sherlock, T., Oxford, New Zealand; railway-point; 29265, 14th March; (33, 20th April).*

Shier, W. H., Christchurch, New Zealand; pen, &c., holder; 29067, 30th January; (18, 9th March).*

Shuttleworth, J. J., Sydney, New South Wales; obtaining novel effects in pictures; 29198, 1st March; (28, 6th April).

Simonsen, C., Alexandra, New Zealand; rise of water in holds or pontoons; 29284, 16th March; (33, 20th April).

Sledon, J. H., Church, Lancaster, England (see A. Holder, No. 28923).

Smith, F. H., and another, Parkside, South Australia (see A. R. Barrymore, No. 28877).

Smith, T. P., and another, New Plymouth, New Zealand; closet-pan; 26807, 25th October, 1909; (7, 26th January).

Smith, W. W., and others, Timaru, New Zealand; speed-controller, &c.; 28987, 12th January; (7, 26th January).*

Sorenson, A., Panmure, New Zealand; building, &c., level; 28953, 16th January; (12, 9th February).*

Sorenson, A., Panmure, New Zealand; ladder; 28935, 23rd December, 1910; (7, 26th January).*

Sorley, J., Feilding, New Zealand; insecticide; 27870, 10th June, 1910; (28, 6th April).

Spicer, A., Christchurch, New Zealand; telephone-cap; 29336, 28th March; (37, 4th May).*

Standard Light Company, Wilmington and Savannah, United States America; vapour generator and burner; (H. M. Conner); 29139, 16th February; (23, 23rd March).

APPLICANTS FOR LETTERS PATENT—*continued.*

Stanford, J., Wellington, New Zealand; leadheaded-nail-making machine; 29259, 14th March; (33, 20th April).

Steer, W., Lower Hutt, New Zealand; leather-waterproofing composition; 29254, 14th March; (37, 4th May).*

Stephenson, S. W., and another, Patetonga, New Zealand; washing-fluid; 29239, 10th March.

Stevenson, A., and another, Wellington, New Zealand; pipe-cutter; 29249, 13th March; (37, 4th May).

Stevenson, C. A., and another, Edinburgh, Scotland; signalling-apparatus; 29108, 7th March, 1910†; (23, 23rd March).

Still, P., Wellington, New Zealand; water-level; 29301, 21st March.

Stokes, W., jun., Christchurch, New Zealand; fire-alarm; 27497, 24th March, 1910; (7, 26th January).

Stopford, R., and another, Auckland, New Zealand; rat-cutter; 28991, 13th January; (12, 9th February).

Storey, G., Balmain, New South Wales (see Storey Smoke-consumer and Fuel-economizer Company, Limited, No. 29015).

Storey Smoke-consumer and Fuel-economizer Company, Limited; fuel-economizer; 29015, 24th February, 1910; (G. Storey).

Storm, M., and others (see Mjolkningmaskin Aktiebolaget, No. 28957).

Storrie, A., Invercargill, New Zealand; milking-machine; 29302, 18th March.

Stretch, H. W., Christchurch, New Zealand; cheese-cutting appliance; 29187, 27th February; (33, 20th April).*

Stride, H. D., and another, Chichester, England; hat-pin-point protector; 29142, 16th February; (23, 23rd March).*

Struthers, G., and another, Christchurch, New Zealand; washing-machine; (W. McMillan); 29085, 30th January; (15, 23rd February).

Stubbs, F., Remuera, New Zealand; flushing-apparatus; 29280, 18th March.

Suttie, C., and another, Waharoa, New Zealand; flax-dressing; 29117, 11th February; (23, 23rd March).*

Suttie, C., and another, Waharoa, New Zealand; flax-dressing; 27672, 4th May, 1910; (28, 6th April).

Suttie, C., and another, Waharoa, New Zealand; flax-catcher; 27673, 4th May, 1910; (23, 23rd March).

Swan, H., Dunedin, New Zealand; gold-saving; 29337, 29th March.

Swanell, C. T., Wellington, New Zealand; binding-composition for briquetting coal-dust; 28591, 17th October, 1910; (18, 9th March).

Swanell, C. T., Wellington, New Zealand; smoke-consumer; 28724, 11th November, 1910; (28, 6th April).

Sykes, G. H., and others, Clapham, England; insulated rail-joint; 29033, 24th January; (15, 23rd February).

Sykes, W. R., and others, Clapham, England; insulated rail-joint; 29033, 24th January; (15, 23rd February).

Tait, A. L. J., Mount Nicholas, New Zealand; rotary engine; 29205, 2nd February; (23, 23rd March).*

Tanner, F., Sydney, New South Wales; marine engine; 29275, 24th November, 1910.†

Tarver, H. H., Trentleigh and elsewhere, England; waste rubber; 29194, 1st March.

Tate, W. F., Glebe, New South Wales; chimney-cleaning; 28964, 10th January.

Tatham, J. E., Sydney, New South Wales; preventing combustion of cinematograph-films; 29158, 24th February, 1910.†

Taylor, C. M., and another, Wellington, New Zealand; preparation of ketones; 27607, 21st April, 1910; (23, 23rd March).

Taylor, J., Christchurch, New Zealand; safety rail and window-sash raiser; 29293, 20th March.

Taylor, J. E., Mangere, New Zealand; hollow pillar-block; 27254, 3rd February, 1910; (2, 12th January).

Tesla, N., Manhattan, United States America; fluid-pulsation; 28853, 8th December, 1910; (7, 26th January).

Testrup, N., London, England; peat-carbonizing; 29218, 10th March, 1910†; (28, 6th April).

Thaeter, E., Paddington, New South Wales; washing-board; 29331, 28th March; (37, 4th May).

Thom, H. E., Gisborne, New Zealand; saddle-girth; 29113, 6th February.

Thomas, O. V., Penang, Straits Settlement; insulating-compound; 29256, 14th March.

Thomas (see Earp, Thomas).

Thompson, C. E., jun., and another, Braeburn, New Zealand; fruit-case and filler; 29052, 26th January; (15, 23rd February).*

Thompson, C. E., jun., and another, Moutere, New Zealand; case and filler; 29316, 23rd March.

Thompson, C. E., Aratapu, New Zealand; fishing-boat; 29094, 3rd February; (18, 9th March).

APPLICANTS FOR LETTERS PATENT—*continued.*

Thomson, A. J., and another, Longbush, New Zealand; indicating position of sunken vessel; 29172, 21st February; (37, 4th May).*

Tilburn, A. E., St. Kilda, Victoria; boot-polisher pad; 29162, 23rd February.

Tilsley, G., Thames, New Zealand; tipping-truck; 28881, 15th December, 1910; (7, 26th January).*

Timms, C., Sockburn, New Zealand; advertisement displaying; (T. E. B. Poole); 28986, 12th January; (15, 23rd February).*

Tinline, W. J., Hastings, New Zealand; cut-off valve; 28289, 18th August, 1910; (12, 9th February).

Tomkies, A. G., Westport, New Zealand; metal-sheet cutter; 27421, 9th March, 1910; (23, 23rd March).

Tong, J. W., Hawera, New Zealand; wheelbarrow; 29326, 27th March.

Tong, J. W., Hawera, New Zealand; concrete-mixer; 29325, 27th March; (33, 20th April).*

Treloar, J. Hamilton, New Zealand; milking-machine pulsator; 28263, 12th August, 1910; (23, 23rd March).

Tripp, E. A., Beverly, United States America (see United Shoe Machinery Company, No. 28945).

Trimming, E., and another, Auckland, New Zealand; cow-milker; 28938, 9th March; (23, 23rd March).*

Turnbull, T. O., Kinohaku, New Zealand; envelope; 29351, 29th March.

Turnbull, W., Wellington, New Zealand; flushing-valve; 29290, 20th March; (28, 6th April).*

Turner, H. J., and another, Wanganui, New Zealand; crow-bar; 29028, 19th January.

Turner, H., Melbourne, Victoria; dress-fastener, &c.; (P. A. Aronsen); 28299, 19th August, 1910; (7, 26th January).

Underwood, W., and another, Leicester, England (see United Shoe Machinery Company, No. 29077).

United Shoe Machinery Company, Paterson, United States America; press; (A. Bates); 27640, 27th April, 1910; (18, 9th March).

United Shoe Machinery Company, Paterson, United States America; feather-edging machine; (J. N. Busell); 27784, 26th May, 1910; (18, 9th March).

United Shoe Machinery Company, Paterson, United States America; trimming-machine; (F. H. Perry); 28108, 19th July, 1910; (23, 23rd March).

United Shoe Machinery Company, Paterson, United States America; die for cutting sheet material; (T. Lund); 28060, 12th July, 1910; (28, 6th April).

United Shoe Machinery Company, Paterson, United States America; manufacturing top lifts; (T. Lund); 28061, 12th July, 1910; (28, 6th April).

United Shoe Machinery Company, Paterson, United States America; heeling-machine; (L. L. Glidden); 28944, 5th January; (7, 26th January).*

United Shoe Machinery Company, Paterson, United States America; heel-attaching machine; (E. A. Tripp); 28945, 5th January; (12, 9th February).

United Shoe Machinery Company, Paterson, United States America; eyeletting-machine; (F. A. Rumney); 28946, 5th January; (12, 9th February).

United Shoe Machinery Company, Paterson, United States America; heeling-machine; (B. F. Mayo); 28947, 5th January; (12, 9th February).

United Shoe Machinery Company, Paterson, United States America; heel-trimming machine; (B. F. Mayo); 28948, 5th January; (12, 9th February).

United Shoe Machinery Company, Paterson, United States America; rounding-machine; (F. H. Perry); 29017, 19th January; (18, 9th March).*

United Shoe Machinery Company, Paterson, United States America; buttonhole-machine; (G. S. Hill); 29018, 19th January; (23, 23rd March).*

United Shoe Machinery Company, Paterson, United States America; grinding, polishing, &c., machine; (W. A. Reed and J. Foley); 29075, 1st February; (15, 23rd February).*

United Shoe Machinery Company, Paterson, United States America; boot and shoe machine; (J. B. Hadaway and A. L. Russell); 29076, 1st February; (15, 23rd February).*

United Shoe Machinery Company, Paterson, United States America; fastener-inserting machine; (G. Bryant and W. Underwood); 29077, 1st February.

United Shoe Machinery Company, Paterson, United States America; finishing-shaft (H. W. Winter); 29157, 22nd February; (23, 23rd March).*

United Shoe Machinery Company, Paterson, United States America; boot and shoe machine; (R. F. McFeely); 29199, 2nd March; (23, 23rd March).*

United Shoe Machinery Company, Paterson, United States America; inseam-machine; (E. C. Winkley); 29200, 2nd March; (23, 23rd March).*

United Shoe Machinery Company, Paterson, United States America; marking-mechanism; (F. H. Perry); 29201, 2nd March; (23, 23rd March).*

APPLICANTS FOR LETTERS PATENT—*continued.*

United Shoe Machinery Company, Paterson, United States America; pulling-over machine; (O. Ashton); 29202, 2nd March; (23, 23rd March).*

United Shoe Machinery Company, Paterson, United States America; assembling-machine; (O. Ashton); 29203, 2nd March; (23, 23rd March).*

United Shoe Machinery Company, Paterson, United States America; sole-edge-operating machine; (J. B. Hadaway and J. V. Allen); 29305, 22nd March; (28, 6th April).*

United Shoe Machinery Company, Paterson, United States America; upper to last conforming; (A. Bates); 28930, 29th December, 1910; (7, 26th January).*

United Shoe Machinery Company, Paterson, United States America; operating upon boot-soles; (F. E. Bertrand); 28107, 19th July, 1910; (28, 6th April).*

United Shoe Machinery Company, Paterson, United States America; boot-sewing machine; (A. E. Johnson); 29344, 29th March.

Unsworth, D., Wellington, New Zealand; bacon-curing; 28985, 12th January.

Unsworth, E., Napier, New Zealand; concrete-wall construction; 28937, 30th December, 1910; (12, 9th February).*

Varley, E., and another, Newmarket, New Zealand; fishing-line; 29241, 9th March.

Viscose Development Company, Limited, and another, London, England; bottle-covering; 29352, 11th June, 1910.†

Von Celsing, and others (see Mjolkkningsmaskin Aktiebolaget, No. 28957).

Von Kramer, H., Erdington, England; wireless-telephone installation; 28626, 25th October, 1910; (12, 9th February).

Voorhees, G. T., New York, United States America; gas-compressor; 28932, 29th December, 1910; (12, 9th February).

Walker, J. W., Hastings, New Zealand; music-turner; 27388, 5th March, 1910; (7, 26th January).

Wainwright, E. P., and another, Hastings, New Zealand; vehicle-controller; 28586, 15th October, 1910; (23, 23rd March).

Wallace, A. C. J., Marton, New Zealand; swingletree; 28887, 16th December, 1910; (7, 26th January).*

Wallace, W., and another, Invercargill North, New Zealand; rabbit-trap; 29104, 7th February; (23, 23rd March).*

Wallis, T. F., Auckland, New Zealand; square turnery; 29321, 24th March; (28, 6th April).*

Warburton, J., Sydenham, New Zealand; human-flight equipment; 29058, 26th January; (15, 23rd February).*

Waters, E. N., Melbourne, Victoria; manufacture of ammonia; (Badische Anilon and Soda Fabrik); 29147, 15th February.

Waters, E. N., Melbourne, Victoria; manufacture of ammonia; (Badische Anilon and Soda Fabrik); 29148, 15th February.

Waters, S., Wellington, New Zealand; flash-signalling; 27444, 18th March, 1910; (15, 23rd February).

Wearn, J. S., Linwood, New Zealand; side-rail attachment; 29294, 20th March.

Webber, E., Dunedin, New Zealand; printing-block mount; 27976, 9th June, 1910; (28, 6th April).

Weedman, G. H., and another, Mount Morgan, Queensland; mine-alarm instrument; 28942, 4th January.

Weger, B. J., Gisborne, New Zealand; deep-well borings; 29112, 27th January; (18, 9th March).*

Welch, E. J. J., and another, Masterton, New Zealand; ironing-board; 29097, 6th February; (18, 9th March).

Werner, A., Doyleston, New Zealand; sheave-elevator; 29289, 20th March.

West Disinfecting Company, Manhattan, United States America; liquid-dispensing device; (M. M. Marcuse); 29226, 7th March; (37, 4th May).

Wheway, S. B., Walsall, England; horse-collar; 28079, 15th July, 1910; (12, 9th February).

Whitaker, C. G., Christchurch, New Zealand (see Booth, Macdonald, and Co., Limited, No. 29149).

White, E. J., and another, Epsom, New Zealand; wardrobe; 29262, 15th March.

White, J. H., and another, Luton, England; gas-generating apparatus; 29125, 14th February; (23, 23rd March).

White, M. C., and another, Chicago, United States America; briquetting-apparatus; 29111, 7th February; (23, 23rd March).

White, M., and another, Luton, England; gas-generating apparatus; 29125, 14th February; (23, 23rd March).

Whitney, A. N., Auckland, New Zealand, and Melbourne, Australia; rifle-range target, &c.; 28943, 4th January.

Whiteside, A. J., Raupo, New Zealand; handling of flax, &c.; 28644, 20th October, 1910; (12, 9th February).

Whittell, H. R. M., Beccroft, New South Wales (see C. Christie, Nos. 20940, 29041, 29042).

APPLICANTS FOR LETTERS PATENT—*continued.*

- Wilderspin, E. A., London, England; brazing cast iron; 28087, 15th July, 1910; (15, 23rd February).
- Williams, C. E., and another, Sleaford, England; reduction of organic substances; 29031, 20th January; (12, 9th February).
- Williams, C. E., and another, Sleaford, England; synthesis of methane; 28097, 16th July, 1910; (2, 12th January).
- Wills, D. G., Sydney, New South Wales; envelope; 29233, 8th March; (33, 20th April).*
- Wilson, C. J., Christchurch, New Zealand; fibrous-plaster slab; 29103, 7th February.
- Wilson, J. W., and others, Armley, England; heating liquids; 29123, 22nd February, 1910.†
- Wilson, O. E., Didsbury, England; tie-bar and bonding-stirrup; 28531, 9th February, 1910†; (7, 26th January).
- Wilson, R. H., and another, New Plymouth, New Zealand; milking-machine; 29215, 3rd March; (28, 6th April).
- Winkley, E. C., Lynn, United States America (see United Shoe Machinery Company, No. 29200).
- Winter, H. W., Methuen, United States America (see United Shoe Machinery Company, No. 29157).
- Witty, R. B., Nelson, New Zealand; fruit-grader; 27440, 18th March, 1910; (18, 9th March).
- Wood, J. E., Seattle, United States America; display apparatus; 29100, 7th February; (23, 23rd March).
- Woodfield, C. V., Kaiapoi, New Zealand; acetylene-generator; 27898, 14th June, 1910; (28, 6th April).
- Woods, W. J., Auckland, New Zealand; boot; 29230, 8th March; (33, 20th April).
- Worsley, H., Wellington, New Zealand; sterilizer and meat-safe; 28993, 14th January; (18, 9th March).*
- Wright, A. H., Dunedin, New Zealand; displaying advertisements; 28802, 5th February, 1910†; (12, 9th February).
- Wright, A. H., Auckland, New Zealand; stamping, &c., machine; 27363, 25th February, 1910; (18, 9th March).
- Wunderlich, C. B. S., Grafton, New South Wales; butter-box; (H. C. Crew); 28766, 23rd November, 1910; (7, 26th January).*
- Wylie, J., Dunedin, New Zealand; tea infuser and strainer; (J. and R. Wylie); 29165, 21st February; (28, 6th April).*
- Wylie, R., Mosgiel, New Zealand (see J. Wylie, No. 29165).
- Wyman, G. W., Mangere, New Zealand; piano-footstool; 29065, 27th January; (15, 23rd February).*
- Wynyard, M. H., and another, Auckland, New Zealand; flax-dressing; 29117, 11th February; (23, 23rd March).*
- Wynyard, M. H., and another, Auckland, New Zealand; flax-catcher; 27673, 4th May, 1910; (23, 23rd March).
- Wynyard, M. H., and another, Auckland, New Zealand; flax-dressing; 27672, 4th May, 1910; (28, 6th April).
- Yeoman, H. W., Petone, New Zealand; ladder; 29349, 30th March; (33, 20th April).*
- Youtlen, W., and others, Brighton, England; separating dirt from materials; 29126, 14th February; (33, 20th April).
- Youtlen's "Onyx" Process International, Limited, and another, Brighton, England; separating dirt from fibrous and other materials; 29126, 14th February; (33, 20th April).
- Young, A. E., and another, Christchurch, New Zealand; lawn-mower attachment; 28910, 19th December, 1910; (12, 9th February).*
- Young, C. E., Feilding, New Zealand; telephone-disinfectant; 29314, 23rd March.
- Young, K., Timaru, New Zealand; spectacles-frame; 29007, 18th January; (12, 9th February).*
- Young, K., Timaru, New Zealand; lamp-stand; 29008, 18th January; (12, 9th February).*
- Young, W. A., and another, Dunedin, New Zealand; wheel; 28994, 14th January; (12, 9th February).

Alphabetical List of Inventions for Quarter ending 31st March, 1911.

THIS list includes also (1) applications lodged prior to but gazetted during the quarter, (2) complete specifications following provisional specifications accepted or gazetted during the quarter. The first number and date are those of the application; the number and date following in parentheses refer to the *Gazette* containing the notification of acceptance. Where the number and date of the *Gazette* are omitted, the application has not yet been accepted.

* Denotes a provisional specification. † Denotes a prior date under the International and Intercolonial Arrangements.

- Account-book; W. E. Chamberlain; 29154, 21st February; (33, 20th April).*
- Acetylene-gasometer; C. F. Anderson; 29339, 29th March; (33, 20th April).*

ALPHABETICAL LIST OF INVENTIONS—*continued.*

- Acetylene-generator; W. H. B. Bishop and E. J. M. Miller; 29183, 27th February.
- Acetylene-generator; M. Elliott; 29050, 26th January; (23, 23rd March).*
- Acetylene-generator; G. Porter; 29011, 17th January; (12, 9th February).*
- Acetylene-generator; W. Attenborough; 29312, 21st March; (33, 20th April).*
- Acetylene-generator; C. F. Anderson; 29339, 29th March; (33, 20th April).*
- Acetylene-generator; C. V. Woodfield; 27898, 14th June, 1910; (28, 6th April).
- Acetylene-generator; F. J. Shelton; 28608, 19th October, 1910; (7, 26th January).
- Acetylene-generator; H. A. Fry; 29143, 16th February; (28, 6th April).*
- Acoustical instrument; L. Lumiere; 28917, 30th December, 1909†; (28, 6th April).
- Acoustical instrument; L. Lumiere; 28940, 6th January, 1910†; (28, 6th April).
- Acoustical instrument; L. Lumiere; 29086, 1st February, 1910†; (28, 6th April).
- Acoustical instrument; L. Lumiere; 29087, 3rd March, 1910†; (28, 6th April).
- Advertisement-displaying; C. Timms; 28986, 12th January; (15, 23rd February).*
- Advertisements-displaying; A. H. Wright; 28802, 5th February, 1910†; (12, 9th February).
- Advertising medium and book-marker; E. W. Griffiths; 29146, 14th February; (28, 6th April).*
- Aerator (see Milk-aerator).
- Aerial apparatus for human flight; J. Warburton; 29058, 26th January; (15, 23rd February).*
- Aerial machine, biplane; N. C. Macpherson; 29038, 24th January; (15, 23rd February).*
- Aerial propeller; S. Lawrence; 29063, 26th January; (15, 23rd February).*
- Aerial railway; W. L. Hamilton; 28965, 10th January.
- Aerial ship; T. B. Jacobsen; 29029, 21st January; (15, 23rd February).*
- Aeroplane; K. M. Fraser; 27491, 31st March, 1910; (12, 9th February).
- Aeroplane; A. M. McIntosh; 29260, 13th March; (37, 4th May).
- Air-circulator; J. Macmeikan; 27639, 27th April, 1910; (18, 9th March).
- Air-gas production; W. C. Sharpe and W. C. Sharpe, jun.; 29195, 1st March; (23, 23rd March).*
- Alarm (see Mine-alarm, Railway-alarm).
- Alarm-clock; F. Goss; 28879, 15th December, 1910; (7, 26th January).
- Ammonia-manufacture; E. N. Waters; 29147, 15th February.
- Ammonia-manufacture; E. N. Waters; 29148, 15th February.
- Annunciator (see Electrical annunciator).
- Axle-lubricator; S. R. Palmer; 27846, 7th June, 1910; (12, 9th February).
- Bacon-curing; D. Unsworth; 28985, 12th January.
- Bag (see Fruit-picking bag).
- Bag, textile; J. J. Joyce; 29270, 15th March.
- Bath and stand; F. A. W. Ansell; 29217, 1st March; (28, 6th April).*
- Bedding; D. McCrae; 28959, 6th January; (7, 26th January).*
- Bedstead, &c., folding-frame; A. Bruno; 28715, 10th November, 1910; (23, 23rd March).
- Beehive-dummy; C. A. Oldman; 28981, 11th January; (18, 9th March).*
- Beer, de-alcoholization; A. T. Firth, H. A. M. Mosse, L. S. Donald, and C. E. L. Mosse; 29243, 9th March.
- Belt-fastener; E. R. Godward; 29332, 27th March; (33, 20th April).*
- Belt-transmission, motor; H. T. Parry; 29278, 15th March.
- Beverage; E. Shadgett; 27538, 11th April, 1910; (7, 26th January).
- Bicycle-dressguard; J. S. Clark; 29234, 8th March; (33, 20th April).
- Bicycle-dressguard; W. A. Rawson; 29039; 25th January; (15, 23rd February).*
- Bicycle-pump connection; A. J. James; 28975, 10th January.
- Bicycle-saddle; W. I. and E. A. V. Aston; 29276, 21st February; (28, 6th April).
- Bicycle-saddle; J. E. C. Brown; 29056, 26th January.
- Billiard-table-cushion support; F. A. Alcock; 29313, 23rd March; (37, 4th May).
- Billy-can; A. H. Riley; 28906, 20th December, 1910; (7, 26th January).
- Bi-plane (see Aerial machine, &c.).
- Blind (see Sun-blind).
- Block (see Printing-block).

ALPHABETICAL LIST OF INVENTIONS—*continued.*

Boat (see Fishing-boat).
 Bodkin; F. A. Field; 29095, 2nd February.
 Boiler (see also Furnace, boiler; Washing-boiler).
 Boiler, preventing incrustation in; C. Neff and A. Brandes; 27454, 22nd March, 1910; (28, 6th April).
 Book (see Account-book).
 Book-marker and advertising-medium; E. W. Griffiths; 29146, 14th February; (28, 6th April).
 Boot (see also Footwear).
 Boot; D. McAuslin; 29020; 17th January.
 Boot; W. J. Woods; 29230, 8th March; (33, 20th April).
 Boot, elastic; C. Robertson; 29225, 4th March.
 Boot and shoe buckle; H. N. Cahen; 29035, 24th January; (15, 23rd February).
 Boot and shoe machine; United Shoe Machinery Company; 29199, 2nd March; (23, 23rd March).
 Boot, &c., assembling machine; United Shoe Machinery Company; 29203, 2nd March; (23, 23rd March).
 Boot-eyeletting machine; United Shoe Machinery Company; 28946, 5th January; (12, 9th February).
 Boot, &c., heel; S. B. Forscutt; 29177, 23rd February.
 Boot heel and sole, renewable; W. Bennet; 29245, 8th March; (37, 4th May).
 Boot-heel-attaching machine; United Shoe Machinery Company; 28945, 5th January; (12, 9th February).
 Boot-heel grip; R. H. Gulleford; 29012, 18th January; (15, 23rd February).
 Boot-heeling machine; United Shoe Machinery Company; 28944, 5th January; (7, 26th January).
 Boot-heeling machine; United Shoe Machinery Company; 28947, 5th January; (12, 9th February).
 Boot-heel-trimming machine; United Shoe Machinery Company; 28948, 5th January; (12, 9th February).
 Boot-inseam-sewing machine; United Shoe Machinery Company; 29200, 2nd March; (23, 23rd March).
 Boot-machine, button-hole finishing; United Shoe Machinery Company; 29018, 19th January; (23, 23rd March).
 Boot-machine, fastenings-inserter; United Shoe Machinery Company; 29077, 1st February; (15, 23rd February).
 Boot-machine, feather-edging; United Shoe Machinery Company; 27784, 26th May, 1910; (18, 9th March).
 Boot-machine, grinding-device; United Shoe Machinery Company; 29075, 1st February; (15, 23rd February).
 Boot-machine, operating-device; United Shoe Machinery Company; 29076, 1st February; (15, 23rd February).
 Boot-machine, top-lift manufacture; United Shoe Machinery Company; 28061, 12th July, 1910; (28, 6th April).
 Boot-manufacture, die for cutting sheet material in; United Shoe Machinery Company; 28060, 12th July, 1910; (28, 2nd April).
 Boot-pattern marker, &c.; United Shoe Machinery Company; 29201, 2nd March; (23, 23rd March).
 Boot-polisher; A. E. Tilburn; 29162, 23rd February.
 Boot-press; H. H. Eaton; 29078, 2nd March, 1910†; (18, 9th March).
 Boot-press; United Shoe Machinery Company; 27640, 27th April, 1910; (18, 9th March).
 Boot, pulling-over machine; United Shoe Machinery Company; 29202, 2nd March; (23, 23rd March).
 Boot-rounding, &c., machine; United Shoe Machinery Company; 29017, 19th January; (18, 9th March).
 Boot-sewing machine; United Shoe Machinery Company; 29344, 29th March.
 Boot sole and heel; L. G. Hamn; 28760, 10th December, 1910; (7, 26th January).
 Boot sole and heel finisher; United Shoe Machinery Company 29157, 22nd February; (23, 23rd March).
 Boot-sole edge-operating machine; United Shoe Machinery Company; 29305, 22nd March; (28, 6th April).
 Boot-sole-operating machine; United Shoe Machinery Company; 28107, 19th July, 1910; (28, 6th April).
 Boot-trimming machine; United Shoe Machinery Company; 28108, 19th July, 1910; (23, 23rd March).
 Boot-upper-conforming machine; United Shoe Machinery Company; 28930, 29th December, 1910; (7, 26th January).
 Bottle-crate; G. Hansen; 29043, 25th January; (12, 9th February).
 Bottle, &c., covering; Viscose Development Company, Limited, and J. R. Morford; 29352, 29th March.
 Bottle, non-refillable; L. W. Alexander and J. W. Hall; 28900, 17th December, 1910; (18, 9th March).
 Bottle, non-refillable; J. Ridge; 29141, 16th February; (28, 6th April).
 Box (see Butter-box).
 Brake, vehicle; A. J. Grant; 29167, 24th February.
 Brand, animal; P. Coyne; 29277, 16th March.
 Branding-apparatus; G. W. Penney; 27881, 11th June, 1910; (28, 6th April).

ALPHABETICAL LIST OF INVENTIONS—*continued.*

Brazing cast iron, process for; E. A. Wilderspin; 28087, 15th July, 1910; (15, 23rd February).
 Breathing, preventing children using mouth; M. E. Budge; 29335, 27th March.
 Brick-kiln; C. Ingram; 27643, 27th April, 1910; (15, 23rd February).
 Bridge, lifting; W. Gloyne; 29288, 20th March.
 Briquette-binding composition; C. T. Swanell; 28591, 17th October, 1910; (18, 9th March).
 Briquetting-apparatus; M. C. White and O. C. Duryea; 29111, 7th February; (23, 23rd March).
 Brooch-fastener; R. W. McNicoll; 28909, 17th December, 1910; (12, 9th February).
 Broom, &c., socket; L. G. Abrams; 29130, 15th February; (23, 23rd March).
 Broom, straw; M. E. Budge; 29333, 27th March.
 Brush, hair; M. J. N. McCarthy; 29240, 10th March.
 Brush-manufacture; M. J. N. McCarthy; 29221, 6th March; (33, 20th April).
 Brush, spoke; E. Henshaw; 29003, 17th January; (23, 23rd March).
 Bucket (see Milking-machine bucket).
 Building-construction; R. W. de Montalk; 29223, 6th March; (28, 6th April).
 Building-level; A. Sorenson; 28953, 6th January; (12, 9th February).
 Butter-box; C. B. S. Wunderlich; 28766, 23rd November, 1910; (7, 26th January).
 Caisson; J. E. Taylor; 27254, 3rd February, 1910; 2, 12th January).
 Califont; A. McLeod; 27756, 18th May; (18, 9th March).
 Can containing and pouring vessel; C. Honour; 29091, 2nd February; (28, 6th April).
 Can (see Billy-can, Milk-can).
 Can-closure; G. F. Birks; 28800, 28th November, 1910; (7, 26th January).
 Candle-extinguisher; C. Johanson; 29252, 13th March; (37, 4th May).
 Car (see also Tram-car).
 Car-fender; E. S. Miller; 29190, 1st March; (28, 6th April).
 Carbide-drums, closing; C. A. Oldman; 28247, 12th August, 1910; (23, 23rd March).
 Carbon-dissolvent; D. W. Custer; 29046, 25th January; (18, 9th March).
 Carburetter; R. P. Doudney; 28941, 4th January; (12, 9th February).
 Carburetter; S. C. Newson; 29258, 14th March.
 Carburetter; J. M. Lofthouse and E. R. Booty; 29271, 15th March; (33, 20th April).
 Case (see Fruit-case).
 Cash-carrier; J. F. A. McSwiney and A. Kilchmann; 29088, 1st February; (23, 23rd March).
 Cask, extractor attachment to; H. G. and G. V. Jones; 29054, 26th January; (15, 23rd February).
 Cask-manufacture; W. Houker; 28905, 20th December, 1910; (7, 26th January).
 Catalytic process; F. Bedford and C. E. Williams; 28097, 16th July, 1910; (2, 12th January).
 Catalytic reduction process; F. Bedford and C. E. Williams; 29031, 20th January; (12, 9th February).
 Cellar lowering-device; F. Andrews; 29170, 23rd February; (28, 6th April).
 Celluloid-manufacture; A. Eichengruen; 29002, 17th January; (12, 9th February).
 Chaff-cutter feed; C. Anketell; 29186, 28th February; (28, 6th April).
 Chair, adjustment of easy; J. E. Collins; 29212, 3rd March.
 Change-speed gear (see Speed-gear, variable).
 Cheese-cutter; H. W. Stretch; 29187, 27th February; (33, 20th April).
 (Cheeses, coating with wax; W. Riddell; 28756, 17th November, 1910; (7, 26th January).
 Chimney and fireplace; J. Byrne; 29072, 1st February; (23, 23rd March).
 Chimney-cleaner; W. T. Tate; 28964, 10th January.
 Cinematograph-film, &c., preventing combustion of; J. E. Tatham; 29158, 20th February).
 Circulator (see Washing-boiler circulator).
 Clock (see Alarm-clock).
 Closet-flush; C. G. McKellar; 29006, 17th January; (15, 23rd February).
 Closet-flush; C. C. Odlin, A. Johnston, and T. D. Glover; 29013, 18th January; (15, 23rd February).
 Closet (see also Water-closet).
 Closet-pan; T. P. Smith and C. J. MacLean; 28807, 25th October, 1909; (7, 26th January).
 Clothes-peg; E. L. Hansen and C. Reynolds; 28977, 11th January).

ALPHABETICAL LIST OF INVENTIONS—continued.

- Clothes-peg; J. W. Hicks; 28955, 6th January; (7, 26th January).
- Clothes-peg; W. Sandlant; 29118, 13th February; (23, 23rd March).*
- Clothes-line clamp; V. S. Aston; 29328, 25th March; (33, 20th April).*
- Clothes-washer; M. Arlow 29295, 20th March.
- Coal-washing apparatus; R. S. Benson, and Head, Wrightson, and Co., Limited; 28929, 29th December, 1910; (7, 26th January).
- Collar (see Horse-collar).
- Combing-machine (see Fibre-combing machine).
- Concrete-mixing; J. W. Tong; 29325, 27th March; (33, 20th April).*
- Concrete mixing and applying; McElroy-Shepherd Company; 29228, 4th March; (28, 6th April).
- Concrete pillar; J. E. Taylor; 27254, 3rd February, 1910; (2, 12th January).
- Concrete-post fastener; T. Napier; 29350, 28th March.
- Concrete (see Reinforced concrete).
- Concrete-wall construction; E. Unsworth; 28937, 30th December, 1910; (12, 9th February).*
- Condenser; E. S. G. Rees; 28451, 16th September, 1910; (28, 6th April).
- Conveyor and elevator; P. G. and B. I. Donald; 29330, 28th March.
- Conveyor-belt pulley; J. C. Johnstone; 28462, 20th September, 1910; (12, 9th February).
- Cooking-range attachment; T. S. Gurr and J. A. Hutcheson; 29096, 3rd February.
- Cooler, evaporating-filter; J. H. Ormond; 29064; 27th January; (23, 23rd March).
- Cooling-apparatus; J. May; 28833, 5th December, 1910; (7, 26th January).
- Cooker (see Electric cooker, &c.).
- Correspondence, arrangement of; H. E. Lindsay; 29092, 1st February.
- Corrugated, &c., metal sheets, cutting; A. G. Tomkies; 27421, 9th March, 1910; (23, 23rd March).
- Cot; S. Lawrence; 29179, 24th February; (28, 6th April).*
- Coupling (see Railway-coupling, Hose-coupling).
- Cover (see Horse-cover).
- Cow-milker (see Milking-machine).
- Cow's tail holder; J. J. Cooper; 29138, 14th February; (28, 6th April).*
- Cradle and pram; A. T. W. Allan; 29204, 27th February.
- Crane, lifting; C. Christie; 29042, 25th January.
- Crate (see also Bottle-crate).
- Crate; A. D. Clemett and W. Broadbent; 29298, 21st March.
- Crowbar; T. Higgle and H. J. Turner; 29028, 19th January.
- Crucible-furnace; J. W. Chenhall; 29191, 1st March.
- Crushing-apparatus (see Ore-crusher).
- Cycle-chain adjustment; C. G. McKellar; 29188, 27th February; (33, 20th April).
- Cycle-frame, rear-wheel fitting; C. G. McKellar; 29182, 25th February; (28, 6th April).
- Cycle, rear-wheel fitting; C. G. McKellar; 29315, 22nd March; (33, 20th April).
- Cycle (see Bicycle).
- Dental gold-casting; P. F. Phillips; 29355, 30th March.
- Deviations from level of moving bodies, indicating; J. S. Nicholson; 28980, 11th January; (12, 9th February).*
- Directory; E. F. Lutz; 28962, 7th January; (12, 9th February).*
- Display apparatus; J. E. Wood; 29100, 7th February; (23, 23rd March).
- Door, &c., stop and lock; W. Flood; 28976, 11th January; (33, 20th April).
- Dress-chart; J. W. Boyce; 29070, 1st February.
- Dress, &c., fastener; H. Turner; 28299, 19th August, 1910; (7, 26th January).
- Dressguard (see Bicycle-dressguard).
- Drilling-apparatus; S. and M. Drill Company; 27478, 30th March, 1910; (15, 23rd February).
- Driving-gear, speed; C. J. Law; 29342, 29th March.
- Dropper (see Fencing-dropper).
- Drums, closing (see Carbide-drums, closing).
- Ear-mark; J. Dillicar; 27868, 10th June, 1910; (28, 6th April).
- Ejector; E. S. G. Rees; 28451, 16th September, 1910; (28, 6th April).
- Electric-circuit two-way switch; E. Moss; 29216, 2nd March, (28, 6th April).*
- Electric cooker and water-heater; V. Nightingall; 28829, 6th December, 1910; (7, 26th January).
- Electric lamp-holder, &c.; H. E. Evans; 29000, 17th January, 1910; (12, 9th February).

ALPHABETICAL LIST OF INVENTIONS—continued.

- Electric meter, alternating-current; G. North; 29189, 23rd June, 1910; (23, 23rd March).†
- Electrical annunciator; E. Moss; 29219, 3rd March; (33, 20th April).*
- Electricity, transmission and distribution; A. F. Berry; 29159, 22nd February; (23, 23rd March).
- Elevator (see also Sheave-elevator).
- Elevator and conveyor; P. G. and B. I. Donald; 29330, 28th March; (37, 4th May).
- Embossing, &c., machine (see Stamping, &c., machine).
- Engine (see Gas-engine, Internal-combustion engine, Marine engine, Oil-engine, Rotary engine).
- Enumerating-machine; H. Hodsdon; 28931, 29th December, 1910; (7, 26th January).
- Envelope; T. O. Turnbull; 29351, 29th March.
- Envelope; D. G. Wills; 29233, 8th March; (33, 20th April).*
- Envelope, grain-sample; C. Bristow; 29322, 24th March.
- Envelope-opener; A. T. Firth, H. A. M. Mosse, L. S. Donald, and C. E. L. Mosse; 29242, 9th March; (37, 4th May).
- Evaporating-filter cooler; J. H. Ormond; 29064, 27th January; (23, 23rd March).
- Excavator; C. Christie; 29040, 25th January; (15, 23rd February).*
- Exhaust-steam utilization; E. D. Berry; 27902, 14th June, 1910; (28, 6th April).
- Expanded-metal manufacture; Expanded Metal Company, Limited; 29093, 1st February; (18, 9th March).
- Explosive; M. Delvigne; 27610, 21st April, 1910; (15, 23rd February).
- Explosive; B. J. Flursheim; 29101, 7th February.
- Eye-glass holder; E. A. Allan; 29106, 8th February; (18, 9th March).*
- Eyeletting-machine (see Boot-eyeletting machine).
- Fanlight opening and closing; A. B. Herrold; 28896, 17th December, 1910; (12, 9th February).*
- Fastener (see Brooch-fastener, Dress, &c., fastener).
- Feed-bag (see Nose-bag).
- Fencing-dropper; J. Grant; 29066, 30th January.
- Fencing-dropper; J. Hollebon; 29247, 10th March.
- Fencing-dropper, securing wires to; G. E. Cluett; 27762, 21st May, 1910; (23, 23rd March).
- Fencing-wire grip; E. Hayes; 28775, 26th November, 1910 (7, 26th January).
- Fibre (see Flax).
- Fibre-catcher; W. L. Adams; 29129, 15th February.
- Fibre-combing machine; Good Inventions Company; 28928, 24th December, 1910; (15, 23rd February).
- Fibre-scutter; J. Liggins; 28445, 7th September, 1910; (23, 23rd March).
- Fibrous plaster (see Plaster).
- Fibrous, &c., material, cleaning; Youlten's "Onyx" Process (International), Limited, and W. Youlten; 29126, 14th February; (33, 20th April).
- Filter cooler, evaporating; J. H. Ormond; 29064, 27th January; (23, 23rd March).
- Filtering-machine; J. Drage; 28882, 21st February, 1910; (7, 26th January).
- Filtering-machine; G. Johnston; 28901, 20th December, 1910; (7, 26th January).
- Filtration treatment of ores; T. Edwards; 29071, 1st February; (15, 23rd February).
- Fire-alarm; W. Stokes, jun.; 27497, 24th March, 1910; (7, 26th January).
- Fire-bridge; H. R. Carey; 29207, 2nd March; (28, 6th April).*
- Fire-lighter; W. Deards; 29175, 24th February; (28, 6th April).*
- Fireplace and chimney; J. Byrne; 29072, 1st February; (23, 23rd March).*
- Fishplate, railway; J. A. Joseph; 29248, 13th March.
- Fishing-boat; C. E. Thompson; 29094, 3rd February; (18, 9th March).
- Fishing-line; W. Findlay and E. Varley; 29241, 9th March.
- Flash signal (see Signalling-lamp).
- Flax (see Fibre).
- Flax-blade sorter; A. Seifert; 28974, 10th January; (7, 26th January).*
- Flax-blade sorter; J. J. Keppel and S. A. Lyttle; 29037, 24th January; (15, 23rd February).*
- Flax-catcher; New Zealand Hemp Process and By-products Company, Limited; 28397, 7th September, 1910; (23, 23rd March).*
- Flax-catcher; C. Suttie and M. H. Wynyard; 27673, 4th May, 1910; (23, 23rd March).
- Flax-crusher; W. G. Joy; 29261, 13th March; (37, 4th May).*
- Flax-dresser; F. V. Raymond; 29347, 30th March.
- Flax-dressing; C. Suttie and M. H. Wynyard; 29117, 11th February; (23, 23rd March).*

ALPHABETICAL LIST OF INVENTIONS—*continued.*

Flax-dressing; C. Suttie and M. H. Wynyard; 27672, 4th May, 1910; (28, 6th April).
 Flax-drying; New Zealand Hemp Process and By-products Company, Limited; 28395, 7th September, 1910; (23, 23rd March).*

Flax-gripper; A. Seifert; 28973, 10th January; (7, 26th January).*

Flax-handling device; A. J. Whiteside; 28644, 26th October, 1910; (12, 9th February).
 Flax-scraper; T. Branton; 29303, 20th March; (37, 4th May).*

Flax-scutcher; J. Liggins; 28445, 17th September, 1910; (23, 23rd March).
 Flax-stripper; New Zealand Hemp Process and By-products Company, Limited; 28396, 7th September, 1910; (23, 23rd March).*

Flax-washer; J. J. Keppel; 27759, 18th May, 1910; (28, 6th April).
 Flax-washer; G. Crow; 29214, 3rd March; (23, 23rd March).*

Floor, &c., covering; L. Pink; 29136, 15th February.
 Fluid-propulsion apparatus; N. Tesla; 28853, 8th December, 1910; (7, 26th January).
 Flushing-apparatus; F. Stubbs; 29280, 18th March.
 Flushing-valve; W. Turnbull; 29290, 20th March; (28, 6th April).*

Folding, &c., machine; Globe Printing Company, Limited; 29121, 13th February; (23, 23rd March).
 Footwear, warming, drying, or lasting; W. Lewis; 29001, 17th January.
 Franking-machine; W. Morton; 28920, 21st December, 1910; (7, 26th January).*

Franking-machine; E. Moss; 29348, 29th March.
 Franking, &c., machine; N. S. McNab; 29152, 18th February.
 Franking, &c., machine; A. H. Wright; 27363, 25th February, 1910; (18, 9th March).
 Friction appliance; J. Berendsen; 29109, 9th February.
 Fruit-case and filler; C. E. Thompson, jun., and W. F. Dane; 29053, 26th January; (15, 23rd February).*

Fruit-case and filler; C. E. Thompson, jun., and G. Harley; 29316, 23rd March.
 Fruit-grader, hand; R. B. Witty; 27440, 18th March; (18, 9th March).
 Fruit-picking bag; J. and W. Fotheringham and C. H. Pearl; 29098, 7th February; (18, 9th March).*

Fuel and water economizer; H. Norgrove and J. de Renzy; 29150, 16th February; (18, 9th March).*

Fuel-economizer, &c.; Storey Smoke-consumer and Fuel-economizer Company, Limited; 29015, 18th January.
 Furnace (see also Crucible-furnace, Producer-gas furnace).
 Furnace; F. R. Millar; 29306, 22nd March.
 Furnace, boiler; F. R. Millar; 29307, 22nd March.
 Furnace, combustion device; International Manufacturing Company; 28988, 11th January; (12, 9th February).
 Fuse-igniter, electric; Nobel's Explosive Company, Limited, and W. T. Evans; 28128, 19th July, 1910; (15, 23rd February).

Garments, &c., wire stays for; C. C. Coates; 28849 6th December, 1910; (23, 23rd March).
 Garment-pattern drafting (see Dress-chart).
 Gas (see also Acetylene, Hydrocarbon, Air gas).
 Gas, combustible; J. G. Gilruth; 29047, 25th January; (23, 23rd March).
 Gas-compressor; G. T. Voorhees; 28932, 29th December, 1910; (12, 9th February).
 Gas, &c., engine; A. C. Baird; 29115, 9th February; (23, 23rd March).*

Gas-generator; E. Dapino; 29034, 24th January; (23, 23rd March).
 Gas-generator; M. and J. H. White; 29125, 14th February; (23, 23rd March).
 Gas generator and burner; Standard Light Company; 29139, 16th February; (23, 23rd March).
 Gas-lamp lighter and extinguisher; T. M. Sandiford; 28963, 23rd December, 1910; (7, 26th January)*; 28, 6th April).
 Gas-production; C. S. MacFarlane; 29173, 22nd February; (28, 6th April).*

Gas-production; Scott Bros., Limited; 29197, 28th February; (28, 6th April).*

Gas-illuminated sign; B. O'Loughlen; 29048, 25th January.
 Gas sign, flashing; W. C. Joel; 29235, 9th March; (28, 6th April).*

Gasometer (see Acetylene-gasometer).
 Gate-hanger; E. Hayes; 29055, 26th January; (15, 23rd February).*

Gauge-cock lubricator; J. Hercus, E. P. Graham, and W. Morton; 28891, 14th December, 1910; (12, 9th February).
 Gear (see Driving-gear).
 Generator (see Acetylene-generator, Gas-generator).

ALPHABETICAL LIST OF INVENTIONS—*continued.*

Gig-frame; J. A. Berg; 28135, 22nd July, 1910; (12, 9th February).
 Girth (see Saddle-girth).
 Glass panels, movable, for wind-screens, &c.; F. W. Pugh; 29102, 11th February, 1910†; (18, 9th March).
 Go-cart strap; J. J. Neugeschwender; 28968, 6th January.
 Gold-extraction; R. and F. Davy, J. D. Mackenzie, and C. S. Bertram; 29296, 21st March; (28, 6th April).*

Gold-saving; H. Swan and D. W. Macfarlane; 29337, 29th March.
 Grate; H. M. Keesing; 29127, 13th February; (23, 23rd March).
 Gumming, &c., machine; Globe Printing Company, Limited; 29121, 13th February; (23, 23rd March).
 Gun-sight; F. H. Andrews; 29324, 27th March.

Hair-frame; E. Cowling; 29137, 15th February; (28, 6th April).*

Hames, attaching traces (see Traces, attaching, &c.).
 Handles, securing (see Saw, &c., handle securing).
 Handle-machine; J. Coulthard; 29229, 6th March; (23, 23rd March).*

Harness-connections; J. Peters and T. Lindon; 29045, 25th January; (15, 23rd February).*

Hat-pin; A. Campbell; 28995, 13th January; (12, 9th February).*

Hat-pin; F. Holden; 28971, 10th January.
 Hat-pin; J. F. W. Lyons; 29185, 27th February; (28, 6th April).
 Hat-pin; W. G. Joy and H. A. Corringham; 28921, 22nd December, 1910; (7, 26th January).*

Hat-pin-point protector; C. W. Duncan and H. D. Stride; 29142, 16th February; (23, 23rd March).*

Hat-pin-point protector; J. D. Hawke and F. W. Piper; 29237, 9th March.
 Hat-pin-point protector; J. Kaveney; 29080, 1st February; (18, 9th March).
 Hat-pin-point protector; J. W. Gunn; 29227, 2nd March; (28, 6th April).
 Hat-pin-point protector; L. Rome; 29128, 14th February.
 Hat-pin safety-shield; E. P. E. Liardet and C. H. Benge; 29180, 23rd February; (28, 6th April).*

Heater (see Water-heater).
 Heating liquids; W. A. Bone, J. W. Wilson, and C. D. McCourt; 29123, 14th February.
 Heel (see Boot-heel).
 Heeling-machine (see Boot-heeling machine).
 Hive (see Bee-hive).
 Holds, &c., detecting rise of water in; C. Simonsen; 29284, 16th March; (33, 20th April).
 Hook, safety; A. P. Cowie; 29116, 9th February; (28, 6th April).*

Horse-collar; F. Andrews; 29171, 23rd February.
 Horse-collar; S. B. Wheway; 28079, 15th July, 1910; (12, 9th February).
 Horse-cover; T. J. Mildenhall; 29253, 14th March.
 Horse-race starter; M. J. Higgins; 29213, 3rd March; (28, 6th April).
 Horse-saddle; J. E. C. Brown; 29056, 26th January.
 Horse-shoe; J. H. Caney; 29266, 15th March.
 Horse-shoe-making machine; R. J. Fry; 28547, 23rd December, 1909†; (18, 9th March).
 Horse-shoe shaping, &c., machine; T. Barrett; 29107, 14th February, 1910†; (15, 23rd February).
 Hose, &c., coupling; R. P. Hill; 29084, 30th January; (23, 23rd March).*

Human-freight equipment (see Aerial apparatus, &c.).
 Hydrocarbon-gas generation; E. Dapino; 29034, 24th January; (23, 23rd March).
 Hydrocarbon-treatment; G. L. Davies and W. E. W. Richards; 29010, 18th January; (12, 9th February).

Igniter; F. Deimel; 29196, 1st March; (28, 6th April).
 Illusion apparatus; R. M. Murie; 29024, 20th January.
 Imprinting, &c., machine (see Stamping, &c., machine).
 Incubator; Petaluma Incubator Company; 29079, 1st February.
 Insecticide; J. Sorley; 27870, 10th June, 1910; (28, 6th April).
 Insulating-compound; O. V. Thomas; 29256, 14th March.
 Internal-combustion engine; A. G. P. and A. S. P. Brookfield; 29059, 27th January; (23, 23rd March).
 Internal-combustion engine; G. W. Hutchinson; 29061, 27th January; (23, 23rd March).*

Internal-combustion engine; S. C. Newson; 29257, 14th April, 1910†; (33, 20th April).
 Internal-combustion engine sparking-regulator; G. W. Hutchinson; 29168, 24th February; (28, 6th April).*

Invoice (see also Statement-form).

ALPHABETICAL LIST OF INVENTIONS—*continued.*

Invoice and account book; F. Currie; 28922, 22nd December, 1910; (7, 26th January).

Iron, &c., manufacture; A. E. Bourcoud; 28966, 10th January.

Iron, steel, &c., preserving; J. Beadle; 28958, 4th January; (12, 9th February).*

Ironing-board; E. J. J. Welch and W. J. Hope; 29097, 6th February; (18, 9th March).

Jack (see Lifting-jack).

Jar, &c., covering; Viscose Development Company, Limited, and J. R. Morford; 29352, 29th March.

Kerosene-tin cover; J. I. Moss; 28982, 11th January; (12, 9th February).*

Kerosene-tin, &c., sling; H. E. Cane and J. S. Hewish; 29263, 15th March; (37, 4th May).

Ketone-preparation; T. H. Easterfield and C. M. Taylor; 27607, 21st April, 1910; (23, 23rd March).

Kiln (see Brick-kiln, Lime-kiln).

Kinematograph fan or shutter; W. H. Anderson; 29184, 27th February; (28, 6th April).*

Knickers, children's; M. E. Budge; 29334, 27th March.

Knitting-machine; W. H. Beale and H. O. Hewett; 27157, 13th January, 1910; (2, 12th January).

Label printing and forming machine; R. Burn; 29027, 20th January; (12, 9th February).*

Ladder; A. Sorenson; 28935, 23rd December, 1910; (7, 26th January).*

Ladder; H. W. Yeoman; 29349, 30th March; (33, 20th April).*

Lamp-chimney, &c., breaking prevention; S. Holm; 27761, 21st May, 1910; (23, 23rd March).

Lamp-stand; K. Young; 29008, 18th January, (12, 9th February).*

Lantern-picture display (see Magic-lantern).

Lawn-edge trimmer; J. E. Main; 28866, 12th December, 1910; (7, 26th January).*

Lawn-mower attachment; A. E. Young and G. G. Holmes, jun.; 28910, 19th December, 1910; (12, 9th February).*

Lead-headed-nail machine; J. Stanford; 29259, 14th March; (33, 20th April).

Leaf-turner (see Music-leaf turner).

Leather, waterproofing-composition for; W. Steer; 29254, 14th March; (37, 4th May).*

Letter-wrapper; A. E. McGregor; 29274, 13th March; (33, 20th April).*

Level (see Building-level, Water-level).

Lifting-jack; C. Clegg; 29174, 23rd February; (28, 6th April).*

Lime-kiln; E. Caspar; 29193, 1st March; (28, 6th April).

Lime-kiln; E. Caspar; 29285, 16th March; (28, 6th April).*

Linoleum, protecting joints or ends; V. R. Moss; 29323, 23rd March.

Liquid-dispensing device; West Disinfecting Company; 29226, 7th March; (37, 4th May).

Lock (see Door, &c., lock, Window-sash hanger and lock).

Lock-nut (see also Nut-lock).

Lock-nut; V. Kviberg; 28208, 4th August, 1910; (18, 9th March).*

Lock-nut; H. McDonald; 29291, 20th March.

Lowering-device for cellars; F. Andrews; 29170, 23rd February; (28, 6th April).*

Lubricator (see Axle-lubricator, Gauge-cock lubricator).

Magic-lantern display; G. Nye; 28871, 13th December, 1910; (7, 26th January).*

Magnetic separator; M. de R. de Colombier and J. Clement; 28418, 13th September, 1910; (12, 9th February).

Marble, rubber-faced; M. W. Hardy; 29273, 15th March.

Marine-engine controller; W. C. Napier; 29319, 23rd March.

Marine-engine-racing prevention; F. Tanner; 29275, 16th March.

Mark (see Ear-mark).

Marking sheep, &c. (see Sheep-marking).

Mat securing in position; L. E. Gummer; 29283, 18th March; (33, 20th April).*

Mat-slipping prevention; C. E. Player; 28961, 4th January; (12, 9th February)*; 18, 9th March).

Meat-safe; H. Worsley; 28993, 14th January; (18, 9th March).*

Metal (see Expanded metal).

Metal-sheets cutting (see Corrugated, &c., metal sheets cutting).

Meter (see Electric meter).

Methane-manufacture, catalytic process for; F. Bedford and C. E. Williams; 28097, 16th July, 1910; (2, 12th January).

Milk-can; A. Huber; 28898, 19th December, 1910; (7, 26th January).*

ALPHABETICAL LIST OF INVENTIONS—*continued.*

Milk-can; A. H. Riley; 28906, 20th December, 1910; (7, 26th January).

Milk-measuring can; D. Bower; 29181, 24th February.

Milk aerator and strainer; C. C. Neal; 28421, 13th September, 1910; (18, 9th March).

Milk, delivering to milking-machine tank; E. J. Armstrong; 29151, 18th February; (23, 23rd March).*

Milk, frothing-preventing valve; C. Cooper; 29119, 13th February; (18, 9th March).

Milk, receiving and delivering from milking-machine; J. Mead; 29051, 26th January; (18, 9th March).

Milk-sampler; H. R. Jenkins; 28960, 7th January; (12, 9th February).*

Milk-separator; W. E. Brown; 29052, 26th January; (23, 23rd March).*

Milk-separator; J. Ingram; 28899, 19th December, 1910; (12, 9th February).*

Milking-machine; Mjolkkningsmaskin Aktiebolaget; 28957, 6th January; (37, 4th May).

Milking-machine; T. Kidd; 28893, 16th December, 1910; (7, 26th January).*

Milking-machine; E. Trimming and G. W. Basley; 28938, 6th September, 1910; (23, 23rd March).*

Milking-machine; R. Collins and R. H. Wilson; 29215, 3rd March; (28, 6th April).

Milking-machine; A. Storrie; 29302, 18th March.

Milking-machine, air-tube coupling; Mjolkkningsmaskin Aktiebolaget; 28956, 6th January; (33, 20th April).

Milking-machine bucket; E. du V. Gilbert; 29160, 21st February; (28, 6th April).*

Milking-machine bucket; J. W. Donald; 29317, 23rd March.

Milking-machine pulsator; N. J. Daysh; 27514, 2nd April, 1910; 15, 23rd February).

Milking-machine pulsator; J. Treloar; 28263, 12th August, 1910; (23, 23rd March).

Milking-machine pulsator; C. V. Henrichsen; 29224, 7th March; (28, 6th April).

Milking-machine teat-cup; Booth, MacDonald, and Co., Limited; 29149, 17th February; (23, 23rd March).*

Milking-machine teat-cup; S. D. Currie; 28927, 24th December, 1910; (7, 26th January).*

Milking-machine teat-cup; R. H. Bartlett; 29267, 15th March; (28, 6th April).*

Milking-machine teat-cup; N. J. Daysh; 27601, 21st April, 1910; (7, 26th January).

Milking-machine teat-cup; V. T. Giraud; 29023, 18th January; (12, 9th February).*

Milking-sheds, &c.; W. L. Boyce; 28915, 5th May, 1910; (7, 26th January).

Mine-alarm; H. W. Lee and G. H. Weedman; 28942, 4th January.

Mineral-water manufacture; H. H. Hewitt; 29304, 22nd March; (28, 6th April).*

Mixing-machine; G. Honeywood; 27655, 27th April, 1910; (18, 9th March).

Motor (see Wind and water motor, Belt-transmission motor).

Music-leaf turner; P. M. M. Houghton; 29309, 22nd March.

Music-turner; J. W. Walker; 27388, 5th March, 1910; (7, 26th January).

Nail-machine, lead-headed; J. Stanford; 29259, 14th March; (33, 20th April).

Necktie-frame; G. Scarfe; 29236, 9th March; (37, 4th May).

Needle, &c.; F. A. Field; 29095, 2nd February.

Non-refillable bottle (see Bottle, non-refillable).

Nose-bag; E. L. W. Goette; 29014, 18th January; (12, 9th February).

Numbering, &c., machine; Globe Printing Company, Limited; 29121, 13th February; (23, 23rd March).

Nut-lock (see also Lock-nut).

Nut-lock; H. McDonald; 29222, 6th March; (37, 4th May).

Oil, &c., engine; A. C. Baird; 29115, 9th February; (23, 23rd March).*

Oil-engine and vacuum-pump; W. Andrews and A. W. Beaven; 28951, 5th January; (12, 9th February).*

Oil-separator; A. Holden; 28923, 22nd December, 1910; (12, 9th February).

Ore, &c., classifier and concentrator; C. Christie; 29041, 25th January.

Ore-crusher; G. Johnston; 28902, 20th December, 1910; (7, 26th January).

Packing (see Piston-rod packing).

Packing-case lining; R. D. Haworth and C. D. Grey; 28068, 12th July, 1910; (15, 23rd February).

Pasteurizer; A. H. Hansen; 28650, 31st October, 1910; (15, 23rd February).

Pasteurizer; A. H. Hansen; 28876, 15th December, 1910; (15, 23rd February).

ALPHABETICAL LIST OF INVENTIONS—*continued.*

- Pasteurizer; W. Clarke; 28989, 13th January; (12, 9th February).*
- Pasteurizer; J. D. Hunter; 29005, 14th January; (12, 9th February).
- Pasteurizer; E. D. Berry; 29176, 24th February; (28, 6th April).*
- Pawl, operating, crank and lever; A. Y. Ross; 29069, 31st January; (18, 9th March).*
- Peat, wet carbonizing; N. Testrup; 29218, 10th March, 1910†; (28, 6th April).
- Peg (see Clothes-peg).
- Pen, &c., pocket-holder; W. H. Shier; 29067, 30th January; (18, 9th March).*
- Perforating, &c., machine; Globe Printing Company, Limited; 29121, 13th February; (23, 23rd March).
- Piano stool and pedal; G. W. Wyman; 29065, 27th January; (15, 23rd February).*
- Pictures, obtaining novel effects in; J. J. Shuttleworth; 29198, 1st March; (28, 6th April).
- Piles, sinking; G. M. Powell; 29346, 30th March.
- Pin (see Hat-pin).
- Pipe-cleaner (see Water-pipe cleaner).
- Pipe, &c., coupling; R. P. Hill; 29084, 30th January; (23, 23rd March).*
- Pipe, repairing leak in; J. Gilmour; 28919, 23rd December, 1910; (12, 9th February).*
- Piston-rod packing; G. H. Robinson and C. A. Beldam; 28952, 22nd January, 1910†; (7, 26th January).
- Plaster slab, fibrous; C. J. Wilson; 29103, 7th February.
- Plough-share; R. J. Fry; 29310, 22nd March; (28, 6th April).
- Plough-share, &c., point; P. and T. McDermott; 29232, 8th March.
- Plough-skeith, securing to beam; M. Earl; 29244, 11th March.
- Pneumatic stand or seat; W. Lingard; 29206, 2nd March; (28, 6th April).*
- Pocket-holder; W. H. Shier; 29067, 30th January; (18, 9th March).*
- Polish, furniture, &c.; G. Kelly and F. Holloway; 29320, 24th March.
- Post (see also Concrete post).
- Post-base block; E. P. Crowe; 29231, 8th March; (28, 6th April).*
- Post, fence, &c.; J. W. Morrow and B. Edwards; 29311, 22nd March; (33, 20th April).
- Post-card; C. Crane; 28992, 14th January.
- Potato-digger; W. Dalziel; 28967, 10th January; (18, 9th March).*
- Power-operated percussive tools; McKiernan-Terry Drill Company; 29099, 7th February; (23, 23rd March).
- Power-storing by springs; W. Aitken; 29264, 14th March.
- Power-transmitter; S. D. Currie; 28926, 24th December, 1910; (7, 26th January).*
- Pram and cradle; A. T. W. Allan; 29204, 27th February.
- Preservation compound; C. F. Lungley; 29163, 23rd February; (28, 6th April).*
- Preservation of meat, &c., dry; H. T. Sheppey and T. T. Boyle; 27680, 4th May, 1910; (28, 6th April).
- Preservation of perishable comestibles; A. Levin; 29049, 25th January.
- Press (see Boot-press).
- Printing-block mount; E. Webber; 27876, 9th June, 1910; (28, 6th April).
- Printing labels (see Label-printing, &c.).
- Printing, &c., machine; Globe Printing Company, Limited; 29121, 13th February; (23, 23rd March).
- Producer-gas furnace; R. Sanderson; 28827, 11th January; (7, 26th January).*
- Pulsator (see Milking-machine pulsator).
- Pulverizer; G. Honeywood; 27570, 14th April, 1910; (15, 23rd February).
- Pump (see also Vacuum-pump, Bicycle-pump).
- Pump-valve, seat, &c.; R. C. Porter; 29032, 20th January; (23, 23rd March).*
- Pyjama trousers; L. G. Reeves; 29209, 1st March; (28, 6th April).*
- Rabbit-trap (see Trap).
- Rail-joint, insulated; W. R. Sykes, C. J. Cooke, A. H. Johnson, G. H. Sykes, and McKenzie and Holland, Limited; 29033, 24th January; (15, 23rd February).
- Railway (see Aerial railway).
- Railway-alarm; A. Hesse and W. H. Clarke; 29161, 21st February.
- Railway-coupling; W. R. Hebblewhite; 28984, 12th January, 1910†; (7, 26th January).
- Railway-coupling; A. T. King; 29089, 31st January; (23, 23rd March).*

ALPHABETICAL LIST OF INVENTIONS—*continued.*

- Railway-coupling; A. T. King; 29318, 23rd March; (28, 6th April).*
- Railway-fishplate (see Fishplate, railway).
- Railway-point; T. Sherlock; 29265, 14th March; (33, 20th April).*
- Railway safe-running device "A"; A. R. Angus; 29081, 1st February.
- Railway safe-running device "B"; A. R. Angus; 29082, 1st February.
- Railway safe-running device "C"; A. R. Angus; 29083, 1st February.
- Railway safe-running device; A. R. Angus; 29341, 29th March; (37, 4th May).
- Railway-signal (see Signal apparatus, railway).
- Railway-train, safety stop; A. Juriss; 29338, 28th March; (37, 4th May).*
- Range (see Cooking-range).
- Rat-trap (see Trap).
- Refrigerating-screen; C. E. Player; 29155, 18th February; (33, 20th April).*
- Reinforced-concrete bonding-stirrup; O. E. Wilson; 28531, 9th February, 1910†; (7, 26th January).
- Reinforced-concrete construction; T. S. Philpott and F. Beagley; 27637, 5th May, 1910; (15, 23rd February).
- Reinforced-concrete slab; F. A. Rich and S. Jeffreys; 28788, 25th November, 1910; (15, 23rd February).
- Ridger; G. Gray; 27619, 21st April, 1910; (12, 9th February).
- Rifle-range, &c.; A. N. Whitney; 28943, 4th January.
- Road vehicle; B. J. Diplock; 28999, 17th January; (15, 23rd February).
- Rope-grip; W. L. Parker; 29300, 21st March.
- Rope-grip; L. Pickering; 29025, 20th January; (15, 23rd February).
- Rotary engine; E. J. M. Madero; 29135, 15th February; (23, 23rd March).
- Rotary engine; A. L. J. Tait; 29205, 2nd February; (23, 23rd March).*
- Rotary engine; T. H. Lindley and H. Schreier; 29211, 28th February; (28, 6th April).
- Rotary printing, &c., machine; Globe Printing Company, Limited; 29121, 13th February; (23, 23rd March).
- Rubber, manufacturing articles from waste; 29194, 1st March.
- Rudder Y joint; A. Juriss; 29292, 16th March; (28, 6th April).*
- Saddle (see Bicycle-saddle, Horse-saddle).
- Saddle-girth; H. E. Thom; 29113, 6th February.
- Safe (see Meat-safe).
- Safety rail for window; J. Taylor; 29293, 20th March.
- Sash (see Window-sash).
- Saucepan-stirrer; H. W. Earp-Thomas; 27586, 19th April, 1910; (7, 26th January).
- Saw-bench feed; D. M. Middleton and J. A. Dewhirst; 28972, 10th January; (12, 9th February).
- Saw, endless chain; R. L. Muir; 28949, 5th January; (12, 9th February).
- Saw, &c., handle securing; W. P. Carey; 28997, 16th January.
- Scaffolding; A. Endri; 29353, 31st March.
- Scissors, &c.; F. J. W. Fear; 28950, 5th January.
- Seed-sower; G. Hutchinson; 27553, 9th April, 1910; (12, 9th February).
- Separator (see Magnetic separator, Oil-separator, Milk-separator).
- Shears, &c.; F. J. W. Fear; 28950, 5th January.
- Sheave-elevator; A. Werner; 29289, 20th March.
- Sheep, &c., marking composition; R. W. and C. W. Collinson; 28983, 10th January; (18, 9th March).
- Sheep-shearing machine; G. Massey; 27461, 23rd March, 1910; (12, 9th February).
- Sheep-shearing machine; F. J. S. Caverhill; 27798, 30th May, 1910; (23, 23rd March).
- Sheep-shearing machine; Levin and Company, Limited; 29153, 21st February; (37, 4th May).
- Sheep-shearing machine; T. D. and F. R. McLean; 29297, 21st March.
- Ship-course recorder, alarm, &c.; W. A. Attenborough; 28123, 21st July, 1910; (23, 23rd March).
- Ship-steering apparatus; C. Brock; 29144, 16th February; (28, 6th April).*
- Shirt-manufacture; W. H. G. Geake; 29329, 28th March.
- Shoe (see Boot, Horse-shoe).
- Show-case; M. O. Kreissig; 29134, 15th February; (28, 6th April).*
- Sight (see Gun-sight).
- Sign (see Gas sign).
- Signal apparatus, railway; McKenzie and Holland, Limited, and W. A. Pearce; 29124, 1st July, 1910†; (23, 23rd March).

ALPHABETICAL LIST OF INVENTIONS—*continued.*

Signalling-apparatus; J. Moyes and C. A. Stevenson; 29108, 7th March, 1910†; (23, 23rd March).
 Signalling-apparatus, railway; T. S. Gurr and R. J. Hobbs; 29246, 9th March; (28, 6th April).*

Signalling-lamp; S. Waters; 27444, 18th March, 1910; (15, 23rd February).
 Silencer (see Steam-jet silencer).
 Sling (see Kerosene-tin, &c., sling).
 Smoke-consumer; C. T. Swanell; 28724, 11th November, 1910; (28, 6th April).
 Smoke-preventer, &c.; Storey Smoke-consumer and Fuel-economizer Company, Limited; 29015, 18th January.
 Sodium and potassium manufacture; E. A. Ashcroft; 29286, 16th March; (33, 20th April).
 Sole (see Boot-sole).
 Soot arrester and collector; F. R. Millar; 29268, 15th March; (33, 20th April).*

Spare wheel, clamping to motor-car rim; E. Moss; 29062, 26th January; (15, 23rd February).*

Speed-controller; A. C. Robertson, A. C. Murray, and W. W. Smith; 28987, 12th January; (7, 26th January).*

Speed gear, variable; G. T. Cavill; 28954, 6th January; (15, 23rd February).*

Spectacle-frame; K. Young; 29007, 18th January; (12, 9th February).*

Spike; J. W. Balfour and Balfour's Patents, Limited; 28375, 3rd September, 1910; (18, 9th March).
 Spraying-apparatus; A. J. Forbes; 29308, 22nd March; (28, 6th April).*

Spring power-storing; W. Aitken; 29264, 14th March.
 Spring wheel; S. A. Horstmann; 29192, 7th March, 1910†; (28, 6th April).
 Sprinkler (see Water-sprinkler).
 Square turnery; T. F. Wallis; 29321, 24th March; (28, 6th April).*

Stained-glass designs, displaying; A. E. and H. G. Bradley; 28322, 24th August, 1910; (15, 23rd February).
 Stamping, &c., machine; N. S. McNab; 29152, 18th February.
 Stamping, &c., machine; A. H. Wright; 27363, 25th February, 1910; (18, 9th March).
 Statement-form, &c; J. G. Cooper and F. G. and R. E. Alpe; 29282, 18th March.
 Stays (see Garments, &c., wire stays for).
 Steam-generator; A. McLeod; 27756, 18th May, 1910; (18, 9th March).
 Steam-jet silencer; C. Cooper; 29120, 13th February; (23, 23rd March).
 Stirrer (see Saucepan-stirrer).
 Stockings, supporting; M. E. Budge; 29356, 31st March.
 Stone-cutter, pipe or tube; A. C. Ferguson and A. Stevenson; 29249, 13th March; (37, 4th May).
 Stone heating, drying, &c.; J. Hines; 28735, 15th November, 1910; (15, 23rd February).*

Stove and water-heater; W. T. Carling; 28998, 17th January.
 Strainer (see Milk-strainer).
 Stretcher (see Bedstead, &c.).
 Sun-blind; W. C. Gee and W. Godfrey; 29345, 30th March.
 Swingletree; W. Reeves; 29044, 25th January; (12, 9th February).
 Swingletree; A. C. J. Wallace; 28887, 16th December, 1910; (7, 26th January).*

Table (see Billiard-table).
 Table-top; F. Hudson; 28916, 21st December, 1910; (7, 26th January).*

Talking-machine (see Acoustical instrument).
 Tanks, cleaning; D. H. Fian; 28606, 15th October, 1910; (15, 23rd February).
 Target; S. B. Forscutt; 29036, 7th February; (18, 9th March).*

Tea can and infuser; A. H. Riley; 29340, 29th March.
 Tea infuser and strainer; J. Wylie; 29165, 21st February; (28, 6th April).*

Teat-cup (see Milking-machine teat-cup).
 Telegraphy (see Wireless telegraphy and telephony).
 Telegraph-wires, connecting ends; F. Andrews; 29169, 23rd February.
 Telephone (see also Wireless telephone).
 Telephone-cap; A. Spicer; 29336, 28th March; (37, 4th May).*

Telephone-horn; F. A. Boyd; 29269, 15th March.
 Telephone disinfectant; C. E. Young; 29314, 23rd March.
 Telephone-message tablet; A. Holder; 28924, 21st December, 1910; (12, 9th February).
 Telephone-mouthpiece disinfectant; A. D. Clemett and W. Broadbent; 29299, 21st March.
 Telephone system; J. R. Howard; 29030, 21st January; (15, 23rd February).*

Telephone system; J. R. Howard; 29132, 15th February; (23, 23rd March).*

ALPHABETICAL LIST OF INVENTIONS—*continued.*

Telephony (see Wireless telegraphy and telephony).
 Threshing-machine; J. J. Broomby and W. Peterson; 28925, 22nd December, 1910; (12, 9th February).*

Threshing-machine; W. Aitken and H. T. Marsh; 29021, 6th February; (28, 6th April).*

Threshing-machine; J. Greenslade; 29090, 31st January; (15, 23rd February).*

Threshing-mill concave strip; W. W. Gaiger; 27968, 22nd June, 1910; (28, 6th April).
 Ticket-issuing machine; H. Hodsdon; 28931, 29th December, 1910; (7, 26th January).
 Tie (see Necktie).
 Tin-cutter; A. Macdonald; 28144, 25th July, 1910; (12, 9th February).
 Tip-trolley; S. T. Ashton; 29110, 9th February, 1911; (15, 23rd February).
 Tip-truck; G. Tilsley; 28881, 15th December, 1910; (7, 26th January).*

Tire; A. A. Plank; 29016, 19th January; (15, 23rd February).
 Tire-inflator; R. Connell; 28969, 9th January; (7, 26th January).
 Tire-inflator; J. I. Rodway and J. Esson; 29026, 19th January.
 Tire, motor-vehicle tread-band; J. C. Berry; 28607, 19th October, 1909†; (18, 9th March).
 Tire-puncture-closing composition; F. H. Dowden; 29164, 23rd February; (28, 6th April).
 Tire-shield; W. H. Piper, E. A. Copley, and T. H. Davies; 29220, 3rd March; (28, 6th April).*

Tools, power-operated percussive; McKiernan-Terry Drill Company; 29099, 7th February; (23, 23rd March).
 Toothed-wheel mask; T. F. Broadfield; 29073, 1st February; (15, 23rd February).
 Towel-storing apparatus; W. Garlick; 29255, 14th March; (28, 6th April).*

Traces, attaching to hames; W. S. Lind; 28990, 13th January; (12, 9th February).*

Traction-engine gear-wheel; F. and T. Dixon; 28933, 29th December, 1910; (7, 26th January).*

Train (see Railway-train).
 Tram-car, side-rail attachment; J. S. Wearn; 29294, 20th March.
 Tramway-points, operating; J. H. Graham; 29178, 24th February; (28, 6th April).*

Trap, rabbit; W. Wallace and W. Palmer; 29104, 7th February; (23, 23rd March).*

Trap, rat; R. Stopford and J. E. Owen; 28991, 13th January; (12, 9th February).
 Trolley-wheel; A. R. Barrymore; 28877, 15th December, 1910; (7, 26th January).*

Trousers; J. Murdoch; 27609, 19th April, 1910; (12, 9th February).
 Truck (see Tip-truck).
 Turbine; A. C. Baird; 29210, 1st March; (28, 6th April).*

Turnery (see Square turnery).
 Turning-machine (see Wood-turning machine).
 Twine-winding machine; J. P. Andrews; 29250, 11th March; (37, 4th May).
 Type-casting machine; Monotype Machine (Colonial Patents) Syndicate, Limited; 29074, 1st February; (18, 9th March).

Vacuum-creating device; R. Joughin; 28874, 14th December, 1910; (7, 26th January).
 Vacuum-pump and oil-engine; W. Andrews and A. W. Beaven; 28951, 5th January; (12, 9th February).*

Valve (see Water-closet valve, Milk-frothing-preventing valve, Pump-valve seat, &c.).
 Valve, admission and exhaust; R. A. M. J. Scholtz; 29009, 18th January; (12, 9th February).*

Valve, wheel mitre exhaust; L. Glanville; 29105, 7th February.
 Valve, gas-pipe; W. J. Tinline; 28289, 18th August, 1910; (12, 9th February).
 Vapour generator and burner (see Gas generator and burner).
 Vehicle-controlling apparatus; E. P. Wainwright and A. J. Rison; 28586, 15th October, 1910; (23, 23rd March).
 Vehicle-brake (see Brake, vehicle).
 Vessel, &c., covering; Viscose Development Company, Limited, and J. R. Morford; 29352, 29th March.
 Vessel, locating sunken; A. J. Thomson and V. Phelan; 29172, 21st February; (37, 4th May).*

Wall-construction; S. B. Marchant; 28836, 7th December, 1910; (7, 26th January).
 Wall-construction (see Concrete-wall construction).
 Wall, &c., covering; L. Pink; 29136, 15th February.
 Wall-tie; C. E. Bird; 27635, 27th April, 1910; (12, 9th February).

ALPHABETICAL LIST OF INVENTIONS—*continued.*

Wardrobe; E. J. White and A. Parkinson; 29262, 15th March.
 Washing-board; E. Thaeter; 29331, 28th March; (37, 4th May).
 Washing-boiler circulator; G. Jones; 29208, 28th February.
 Washing-fluid; S. W. Stephenson and W. J. Coxhead; 29239, 10th March.
 Washing-machine; C. McDonell; 29354, 31st March.
 Washing-machine; G. Struthers and J. Brown; 29085, 30th January; (15, 23rd February).
 Washing-machine (see also Clothes-washer).
 Water and fuel economizer; H. Norgrove and J. de Renzy; 29150, 16th February; (18, 9th March).
 Water-closet basin; C. G. McKellar; 28970, 9th January; (12, 9th February).
 Water-closet basin and flush; C. G. McKellar; 29145, 15th February; (23, 23rd March).
 Water-closet valve; C. G. McKellar; 28781, 23rd November, 1910; (7, 26th January).
 Water-distribution; J. Mosley; 29281, 18th March.
 Water-heater (see also Heating liquids).
 Water-heater; F. Bradford; 29019, 19th January; (15, 23rd February).
 Water-heater; H. W. Davies; 29122, 13th February; (18, 19th March).
 Water-heater; A. McLeod; 27756, 18th May, 1910; (18, 9th March).
 Water-heater; J. C. P. Kirkwood; 27670, 3rd May, 1910; (28, 6th April).
 Water-heater; G. Lauchlan; 29133, 15th February; (28, 6th April).
 Water-heater; A. J. Hainsworth; 29327, 27th March; (33, 20th April).
 Water-heater, &c.; W. T. Carling; 28998, 17th January.
 Water-level indicator; J. Hercus, E. P. Graham, and W. Morton; 28891, 14th December, 1910; (12, 9th February).
 Water-level indicator; P. Still; 29301, 21st March.
 Water, &c., motor; E. T. C. Firth; 28996, 13th January.
 Water-pipe cleaner; R. P. Hill; 29156, 20th February.
 Water-sprinkler; E. G. Godfree; 29131, 15th February; (33, 20th April).
 Water-waste preventer; C. G. McKellar; 29022, 18th January; (12, 9th February).
 Wear-resisting material; G. Metcalfe; 28000, 29th June, 1910; (23, 23rd March).
 Well-borings, rimming; B. J. Weger; 29112, 27th January; (18, 9th March).
 Wheel; A. MacDonald and W. A. Young; 28994, 14th January; (12, 9th February).
 Wheel-barrow; J. W. Tong; 29326, 27th March.
 Wheel-lock, vehicle; J. Richardson; 29238, 9th March.
 Wheel, vehicle; J. Brinati; 29060, 27th January; (18, 9th March).
 Wheel (see Spare wheel, Spring wheel, Trolley-wheel).
 Wind, &c., motor; E. T. C. Firth; 28996, 13th January.
 Wind-screen (see Glass panels, &c.).
 Window-catch; F. E. Cooney; 29068, 28th January; (15, 23rd February).
 Window-fastener; T. McGann and R. G. Pitts; 29343, 29th March.
 Window-fastener; H. H. Seccombe; 29114, 9th February; (23, 23rd March).
 Window-fastener; H. H. Seccombe; 29279, 16th March.
 Window-sash; T. Flintoff; 29272, 15th March; (37, 4th May).
 Window-sash balance; W. J. Nuttall; 27657, 29th April, 1910; (15, 23rd February).
 Window-sash hanger and lock; W. C. S. Clydesdale; 29251, 13th March; (37, 4th May).
 Window-sash raiser, &c.; J. Taylor; 29293, 20th March.
 Window-sash, raising; C. J. Sanderson; 28884, 14th December, 1910; (12, 9th February).
 Windows (see Glass panels, &c.).
 Wire-grip (see Fencing-wire grip).
 Wire stays for garments; C. C. Coates; 28849, 6th December, 1910; (23, 23rd March).
 Wire-strainer; H. E. Hyde; 29004, 13th January; (12, 9th February).
 Wire-strainer; F. McGarthy and C. McDonell; 29140, 16th February; (23, 23rd March).
 Wireless telegraphy and telephony; E. Phillips; 29166, 21st February; (23, 23rd March).
 Wireless-telephone installation; H. von Kramer; 28626, 25th October, 1910; (12, 9th February).
 Wood, reinforcing; L. C. Moore; 28979, 11th January; (12, 9th February).
 Wood-turning machine; E. Hodge; 29287, 17th March.
 Wool-cleaning machine; J. R. Milson; 28729, 11th November, 1910; (18, 9th March).
 Wool-scouring preparation; L. Shaw; 28978, 11th January; (15, 23rd February).
 Wrapper (see Letter-wrapper).

Alphabetical List of Applicants for Registration of Trade Marks.

ALPHABETICAL list of applicants for registration of Trade Marks for quarter ended 31st March, 1911 (including also applications lodged prior to but gazetted during such quarter). The number of class is given in parentheses, the next number and date are those of the application, and the final number and date those of the *Gazette*.

* Denotes a prior date under the International and Inter-colonial Arrangements.

Aachener Stahlwaarenfabrik Actiengesellschaft, Aachen, Germany; (7), (22); 9378, 9379, 15th February; 15, 23rd February.
 Abingdon-Ecco, Limited, Birmingham, England; (22); 9443, 10th March.
 Adams and Elting Company, Chicago, United States America; (50); 9216, 7th December, 1910; 2, 12th January.
 Adams, W., and Co., Limited, Sydney, New South Wales; (2); 9483, 18th March; 28, 6th April.
 Adelphi Polish Company, Limited, London, England; (50); 9352, 1st February; 15, 23rd February.
 Allen, W. G., "W. G. Allen and Co.," Auckland, New Zealand; (39); 9242, 14th December, 1910; 2, 12th January.
 Allen, W. G., and Co. (see W. G. Allen).
 Allmänna Svenska Elektriska Aktiebolaget, "Allmänna Svenska Electric Company" and "Sociudad Allmänna Svenska de Electricidad," Westeras, Sweden; (6); 9511, 28th March; 33, 20th April.
 Allmänna Svenska Electric Company (see Allmänna Svenska Elektriska Aktiebolaget).
 Anderson and Miskin, Vancouver, B.C.; (42); 9444, 10th March.
 Anderson and Miskin, Vancouver, B.C.; (42); 9445, 10th March; 33, 20th April.
 Anderson and Miskin, Vancouver, B.C.; (42); 9459, 11th March.
 Anderson, D., and Son, Limited, Belfast, Ireland; (50); 9291, 10th January; 7, 26th January.
 Ansell and Spencer, Auckland, New Zealand; (13); 9430, 3rd March.
 Aplin and Barrett and Western Counties Creameries, Limited, Yeovil, England; (42); 9474, 14th March; 23, 23rd March.
 Ardath Tobacco Company (see also A. Levy).
 Ardath Tobacco Company, London, England; (45); 9418, 1st March; 18, 9th March.
 Arlow, R., and Co., Limited, Christchurch, New Zealand; (50); 9347, 28th January; 12, 9th February.
 Ashburton Co-operative Dairy Factory Company, Limited, Ashburton, New Zealand; (42); 9258, 29th December, 1910; 12, 9th February.
 Aston, J., Wellington, New Zealand; (3); 9516, 30th March; 28, 6th April.
 Auckland Farmers' Freezing Company, Limited, Auckland, New Zealand; (42); 9285, 29th December, 1910; 7, 26th January.
 Australian Wood Pipe Company, Limited, Balmain, New South Wales; (50); 9354, 1st February; 15, 23rd February.
 Backhouse, H. N., "Roberts and Co.," Paris, France; (3); 9332, 21st January; 12, 9th February.
 Badham, C. J., Dunedin, New Zealand; (50); 9363, 4th February; 15, 23rd February.
 Barden, H., and another, "Barden and Co.," London, England; (42); 9310, 17th January; 12, 9th February.
 Barden and Co. (see F. Kornfeld and H. Barden).
 Barnett, Samuel, and Sons, Limited, London, England; (8); 9186, 9187, 9188, 25th November, 1910; 2, 12th January.
 Barnett, Samuel, and Sons, Limited, London, England; (9); 9517, 30th March; 33, 20th April.
 Barraclough, Mrs. A. S., "Barraclough Herbal Proprietary," Wellington, New Zealand; (3); 9487, 21st March.
 Barraclough Herbal Proprietary (see Mrs. A. S. Barraclough).
 Batson, H. T., and Co., Palmerston North, New Zealand; (38); 9410, 27th February.
 Baylis, G. H., Wellington, New Zealand; (50); 9243, 14th December, 1910; 2, 12th January.
 Begg, C., and Co., Limited, Dunedin, New Zealand; (9); 9401, 22nd February; 18, 9th March.
 Beisbarth, P., "R. Lipp and Sohn," Stuttgart, Germany; (19); 9403, 9404, 9405, 23rd February; 18, 9th March.
 Bell and Co., Berlin, Germany; (9); 9500, 27th March; 28, 6th April.
 Bennett and Wood, Limited, Sydney, Australia; (22), (40); 9248, 9249, 19th December, 1910; 2, 12th January; 9248, 9249, 19th December, 1910; 2, 12th January.
 Berry, H., and Co., Christchurch, New Zealand; (5); 9376, 15th February; 15, 23rd February.

APPLICANTS FOR REGISTRATION OF TRADE MARKS—*contd.*

- Best, C. M., Auckland, New Zealand; (2); 9322, 19th January; 12, 9th February.
- Bird, A., and Sons, Limited, Birmingham, England; (42); 9507, 28th March; 37, 4th May.
- Birmingham Photographic Company, Limited, Stechford, England; (15), (39); 9356, 9357, 1st February; 15, 23rd February.
- Birmingham Photographic Company, Limited, Stechford, England; (39); 9359, 2nd February; 15, 23rd February.
- Borsalino, G. B., fu Lazzaro and Co., Alessandria, Italy; (38); 9364, 6th February; 15, 23rd February.
- Borsalino, Guisepe E. Fratello Societa Anonima, Alessandria, Italy; (38); 9028, 14th September, 1910; 18, 9th March.
- Borsdorff and Co., Melbourne, Victoria; (38); 9319, 18th January; 12, 9th February.
- Borsdorff and Co., Melbourne, Victoria; (38); 9326, 9327, 19th January; 12, 9th February.
- Borsdorff and Co., Melbourne, Victoria; (38); 9328, 19th January; 15, 23rd February.
- Borsdorff and Co., Melbourne, Victoria; (38); 9476, 15th March; 28, 6th April.
- Bowman, J., Woodville, New Zealand; (42); 9294, 18th March; 23, 23rd March.
- Brace, Windle, Blyth, and Co., Limited, Dunedin and Auckland, New Zealand, Walsall, England; (34); 9432, 4th March; 23, 23rd March.
- Brampton Bros., Limited, Birmingham, England; (13), (37); 9360, 9361, 2nd February; 15, 23rd February.
- Broughton, T. E., Wellington, New Zealand; (42); 9329, 19th January.
- Brown, C. A., and Sons, Auckland, New Zealand; (50); 9382, 16th February; 18, 9th March.
- Budd, A. E., and Co., Wellington, New Zealand; (18); 9290, 7th January.
- Burroughs, Wellcome, and Co. (see H. S. Wellcome).
- Bycroft, Limited, Auckland, New Zealand; (42); 9440, 9441, 18th March; 28, 6th April.
- Caldwell's Inks Proprietary, Limited, Melbourne, Victoria; (50); 9482, 18th March.
- Central Photo Stores (see W. Flatt).
- Ceylon Tea Company (see D. Hutcheon and W. Hay).
- Chambers Bros., Wairoa, New Zealand; (4); 9396, 17th February; 18, 9th March.
- Chappell, Allen, and Co., Limited, Bristol, England; (38); 9336, 9337, 9338, 24th January.
- Chipman, Limited, New York, United States America, and Sydney, New South Wales, and elsewhere; (6); 9282, 29th December, 1910; 7, 26th January.
- Choqueuel, A., Hamilton, New Zealand; (45); 9499, 25th March.
- Christeson, L., Wellington, New Zealand; (48); 9480, 16th March; 33, 20th April.
- Christeson, L., Wellington, New Zealand; (48); 9481, 16th March; 28, 6th April.
- Church and Co., Northampton, England; (38); 9427, 2nd March.
- Cochrane, J. P., and Co., Edinburgh, Scotland; (49); 9488, 22nd March; 28, 6th April.
- Cocks, A., and Co., Limited, Wellington, New Zealand; (14), (10); 9286, 9287, 30th Decemer, 1910; 7, 26th January.
- Colbran, M., "Mrs. B. B. Colbran," Invercargill, New Zealand; (3), 9485, 18th March; 28, 6th April.
- Colbran, Mrs. B. B. (see M. Colbran).
- Cole, W. H., and Co., Limited, London, England; (13); 9304, 13th January; 7, 26th January.
- Collie, R., and Co., Melbourne, Victoria; (39); 9198, 1st December, 1910; 2, 12th January.
- Collier, A. W., London, England; (39); 9268, 29th December, 1910; 7, 26th January.
- Collins Bros. and Co., Limited, Auckland, New Zealand; (39); 9456, 11th March; 37, 4th May.
- Commonwealth Oil Corporation, Limited, Sydney, New South Wales; (47); 9381, 15th February; 15, 23rd February.
- Compagnie Parisienne de Couleurs D'Aniline (Societe Anonyme), Paris, France; (5); 9305, 13th January.
- Court, G., and Sons, Limited, Auckland, New Zealand; (38); 9246, 16th December, 1910; 23, 23rd March.
- Criper, J., "J. G. Turney and Son," London, England; (43); 9486, 18th March.
- Crown Cork Company, Limited, London, England; (6), (13); 9292, 9293, 10th January; 7, 26th January.
- Crown Clothing Manufacturing Company, Limited, Christchurch, New Zealand; (38); 9307, 14th January; 15, 23rd February.
- Cuff, H. M., Auckland, New Zealand; (3); 9484, 18th March; 28, 6th April.
- Custer, D. W., Sydney, New South Wales; (1); 9342, 25th January; 12, 9th February.
- Czar Medical Proprietary (see F. L. Martin).
- Daisy Vacuum Cleaner Company, Limited, Birmingham, England; (6); 9101, 18th October, 1910; 18, 9th March.
- Daniel, C. A., Philadelphia, United States America; (50); 9297, 11th January.
- Delacour, P. J., Christchurch, New Zealand; (38); 9358, 2nd February; 15, 23rd February.
- Dennison, F., "Dennison Watch-case Company," Handsworth, England; (13), (14); 8757, 8758, 24th May, 1910; 2, 12th January.
- Dennison Watch-case Company (see F. Dennison).
- Dickinson, E. M., Limited, Sheffield, England; (12); 9349, 1st February.
- Dickinson, E. M., Limited, Sheffield, England; (12); 9350, 1st February; 15, 23rd February.
- Donaghy's Rope and Twine Company, Limited, Dunedin, New Zealand; (50); 9497, 24th March; 28, 6th April.
- Doyle, T. G., Sydney, New South Wales; (2); 9341, 25th January; 12, 9th February.
- Dudfield, W. G., Melbourne, Victoria; (35), (38); 9368, 9369, 7th February; 15, 23rd February.
- Duffield, J. E., and Co., St. Louis, United States America; (50); 9303, 13th January; 33, 20th April.
- Dunbar, A., Melbourne, Victoria; (50); 9402, 23rd February; 18, 9th March.
- Dunlop Rubber Company of Australasia, Limited, Melbourne, Victoria; (50), (40), (38), (40), (38), (50), (40), (40); 9269, 9270, 9271, 9272, 9273, 9274, 9276, 9278, 29th December, 1910; 7, 26th January.
- Ellis and Manton, Wellington, New Zealand; (47); 9452, 11th March.
- Ellis and Manton, Wellington, New Zealand; (47); 9454, 11th March; 28, 6th April.
- Ellis and Manton, Wellington, New Zealand; (47); 9490, 22nd March; 33, 20th April.
- Ellis and Manton, Wellington, New Zealand; (47); 9453, 9455, 11th March; 23, 23rd March.
- Farbwerke Vorm Meister Lucius and Brüning Hoechst, of Main, Germany; (3); 9306, 13th January.
- Finlay, Fleming, and Co., Rangoon, Burma; (47); 9411, 9412, 9413, 9414, 9415, 9416, 9417, 1st March.
- Fisher, W., Waimate, New Zealand; (16); 9345, 27th January; 15, 23rd February.
- Flatt, W., "Central Photo Stores," Palmerston North, New Zealand; (1); 9498, 24th March; 33, 20th April.
- Fluenzol Proprietary, Wellington, New Zealand; (3); 9253, 21st December, 1910; 12, 9th February.
- Fox, S., and Co., Limited, Sheffield, England; (13); 9425, 9426, 2nd March; 23, 23rd March.
- Gardiner and Hardie, Wellington, New Zealand; (3); 9321, 18th January; 12, 9th February.
- Garnett, G., and Sons, Limited, Bradford, England; (34), (38); 9266, 9267, 29th December, 1910; 7, 26th January.
- Garraway, R., Auckland, New Zealand; (42); 9431, 3rd March.
- General Electric Company, Limited, London, England; (13); 9296, 11th January; 7, 26th January.
- Gilbert, J. B., and Sons, Limited, Wanganui, New Zealand; (47); 9377, 15th February.
- Gramophone Company, Limited, London, England; (8); 9298, 9299, 9300, 11th January; 7, 26th January.
- Guinness and Le Cren, Limited, Timaru, Waimate, and Geraldine, New Zealand; (46); 9462, 13th March; 28, 6th April.
- Hall, T. H., and Co., Auckland, New Zealand; (47); 9367, 7th February; 15, 23rd February.
- Hallenstein Bros., Limited, Dunedin and elsewhere, New Zealand; (38); 9250, 19th December, 1910; 15, 23rd February.
- Hancock and Co. (N.Z.), Limited, Auckland, New Zealand; (43); 9162, 18th November, 1910; 23, 23rd March.
- Hare, J., and Co., Bristol, England; (1); 9409, 27th February.
- Hargreaves Bros. and Co., Limited, Hull, England; (50); 9255, 23rd December, 1910; 23, 23rd March.
- Harrington, P., Auckland, New Zealand; (42); 9365, 6th February; 23, 23rd March.
- Hay, W., and another, "Ceylon Tea Company," Wellington, New Zealand; (42); 9463, 9464, 14th March; 28, 16th April.
- Hayward Bros., and Co., Limited, Christchurch, New Zealand; (42); 9308, 16th January; 7, 26th January.
- Henley's, W. T., Telegraph Works Company, Limited, London, England; (8), (25), (32), (39), (40); 9387, 9388, 9389, 9390, 9391, 17th February; 18, 9th March.
- Holophane, Limited, London, England; (13), (15), (16); 9313, 9314, 9315, 18th January.

APPLICANTS FOR REGISTRATION OF TRADE MARKS—*contd.*

Holophane, Limited, London, England; (13), (15), (16); 9316, 9317, 9318, 18th January; 15, 23rd February.

Holzappfels, Limited, Newcastle-on-Tyne, England; (1); 9252, 20th December, 1910; 2, 12th January.

Hullen, F., Wellington, New Zealand; (48); 9371, 9th February; 15, 23rd February.

Hutcheon, D., and another, "Ceylon Tea Company," Wellington, New Zealand; (42); 9463, 9464, 14th March; 28, 6th April.

Innes, C. L., and Co., Limited, Hamilton, New Zealand; (43), (44); 9491, 9492, 22nd March.

I X L Washing-powder Company (see P. C. Triggs).

Joblin, E. J., Stratford, New Zealand; (2); 8473, 10th January, 1910; 12, 9th February.

Kearsley and Co., Limited, Ripon, England; (1); 9309, 16th January.

Kernot, A. E., Wellington, New Zealand; (43); 9372, 10th February; 15, 23rd February.

Kilcal Noxious Weeds Company (see J. G. Swan, C. McDonnell, and F. McGarthy).

King, F. M., and Co., Auckland, New Zealand; (38); 9370, 9th February; 15, 23rd February.

Knight, J., Limited, London, England; (47); 9333, 24th January.

Kolynos Incorporated, New Haven, United States America; (48); 9064, 4th October, 1910; 2, 12th January.

Kornfeld, F., and another, "Barden and Co.," London, England; (48); 9310, 17th January; 12, 9th February.

Kullmann, C., and Cie, Brussels, Belgium; (38); 9355, 1st February.

Langdown and Son, Limited, Christchurch, New Zealand; (42); 9229, 10th December, 1910; 12, 9th February.

Langguth and Co., Auckland, New Zealand; (42), 9446, (43), 9448, 10th March.

Langguth and Co., Auckland, New Zealand; (42); 9447, 10th March; 33, 20th April.

Langguth and Co., Auckland, New Zealand; (42), 9457, 9458, 11th March.

Langguth and Co., Auckland, New Zealand; (45), (47), 9449, 9450, 10th March; 23, 23rd March.

Latham, A., Christchurch, New Zealand; (50); 9406, 24th February; 23, 23rd March.

Leethem, C., and Co., Portsmouth, England; (38); 9260, 9264, 29th December, 1910; 7, 26th January.

Lennard, J. L., Wellington, New Zealand; (42); 9343, 26th January; 33, 20th April.

Levy, A., "Ardath Tobacco Company," London, England; (45); 9351, 1st February; 15, 23rd February.

Lipp, R., and Sohn (see P. Beisbarth).

Lloyd, B., Motueka, New Zealand; (42); 9407, 24th February; 18, 9th March.

Locke, Blackett, and Co., Limited, Newcastle-on-Tyne, England; (1); 8881, 15th July, 1910; 12, 9th February.

Locke, Blackett, and Co., Limited, Newcastle-on-Tyne, England; (1); 8880, 15th July, 1910; 15, 23rd February.

Lonsdale, H. E., Christchurch, New Zealand; (14); 9518, 31st March; 33, 20th April.

Lyons Bros., Hastings, New Zealand; (4); 9504, 27th March.

Lyons, J., and Co., Limited, London, England; (42); 9475, 14th March.

Maconochie Bros., Limited, London, England; (42); 9283, 29th December, 1910; 7, 26th January.

Marshall Shoe Company, Richmond, Victoria; (38); 9245, 15th December, 1910; 2, 12th January.

Martin, F. L., "Czar Medical Proprietary," Nelson, New Zealand; (3); 9408, 25th February; 33, 20th April.

Maxim, Sir H. S., London, England; (11); 9331, 21st January; 12, 9th February.

McDonnell, C., and others, "Kilcal Noxious Weeds Company," Wanganui, New Zealand; (2); 9348, 31st January; 37, 4th May.

McGarthy, F., and others, "Kilcal Noxious Weeds Company," Wanganui, New Zealand; (2); 9348, 31st January; 37, 4th May.

McIntyre Bros. Proprietary, Limited, Melbourne, Victoria; (42); 9366, 7th February; 15, 23rd February.

McLean, A., Hastings, New Zealand; (4); 9505, 27th March.

McLean, R. D. D., Maraekakaho, New Zealand; (4); 9442, 9th March; 28, 6th April.

McLean, R. D. D., Maraekakaho, New Zealand; (4); 9512, 28th March; 28, 6th April.

Menley and James, Limited, London, England; (3); 9334, 24th January.

APPLICANTS FOR REGISTRATION OF TRADE MARKS—*contd.*

Napier Woollen Company, Limited, Napier, New Zealand; (34); 9434, 7th March.

National Mortgage and Agency Company of New Zealand, Limited, Invercargill, New Zealand; (2); 9183, 24th November, 1910; 2, 12th January.

Natural Colour Kinematograph Company, Limited, London, England; (8); 9256, 23rd December, 1910; 7, 26th January.

Neath Steel Sheet and Galvanizing Company, Limited, Neath, Wales; (5); 9302, 13th January; 12, 9th February.

Needham, Veall, and Tyzack, Limited, Sheffield, England; (12), 9421, 9423, (14), 9422, 9424, 2nd March.

Neil, J., Limited, Dunedin, New Zealand; (42); 9460, 11th March; 28, 6th April.

Neil, J., Limited, Dunedin, New Zealand; (3); 9515, 30th March; 28, 6th April.

New Hydroleine Company, Limited, Ashby-de-la-Zouch, England; (47); 9473, 14th March; 23, 23rd March.

New Way Motor Company, Lansing, United States America; (6); 8018, 29th May, 1909; 18, 9th March.

New Zealand Candle Company, Limited, Kaiwarra, New Zealand; (47); 9235, 9236, 12th December, 1910; 23, 23rd March.

New Zealand Candle Company, Limited, Kaiwarra, New Zealand; (47); 9400, 22nd February; 18, 9th March.

New Zealand Candle Company, Limited, Kaiwarra, New Zealand; (47); 9233, 9238, 9239, 12th December, 1910; 2, 12th January.

New Zealand Candle Company, Limited, Kaiwarra, New Zealand; (47); 9232, 9234, 12th December, 1910; 18, 9th March.

New Zealand Candle Company, Limited, Kaiwarra, New Zealand; (47); 9506, 27th March; 28, 6th April.

New Zealand Dairy Association, Limited, Auckland, New Zealand; (42); 9451, 11th March; 23, 23rd March.

New Zealand Photo Goods Company, Limited, Auckland, New Zealand; (1); 9340, 24th January; 12, 9th February.

Newcomb, A., and Co., Auckland, New Zealand; (25), (38), (40); 9436, 9437, 9438, 9th March; 23, 23rd March.

Newcomb, A., and Co., Auckland, New Zealand; (50); 9439, 9th March.

Ordway, A. P., and Co., New York, United States America; (3); 9493, 9494, 22nd March; 37, 4th May.

Ormond, M. M., "Ormond," Vevey, Switzerland; (45); 9218, 7th December, 1910; 12, 9th February.

Ormond, M. M., "Ormond," Vevey, Switzerland; (45); 9219, 7th December, 1910; 2, 12th January.

Ormond (see M. M. Ormond).

Owen and Davies, Christchurch, New Zealand; (22); 9288, 21st December, 1910; 7, 26th January.

Owen and Davies, Christchurch, New Zealand; (22); 9289, 31st December, 1910; 12, 9th February.

Partridge, H. E., and Co., Limited, Auckland, New Zealand; (12); 9312, 17th January; 12, 9th February.

Peake, G. N., Limited, London, England; (38); 9265, 29th December, 1910; 7, 26th January.

Pearson's Antiseptic Company, Limited, London, England; (2); 9339, 24th January; 12, 9th February.

Pickles, J., and Son (see J. E. Pickles and Co.).

Pickles, J. E., and Co., Bradford, England, "J. Pickles and Son," Sydney, Australia, and Wellington, New Zealand; (34); 9375, 14th February; 15, 23rd February.

Pompeian Manufacturing Company, Cleveland, United States America; (48); 9168, 21st November, 1910; 18, 9th March.

Reddaway, F., and Co., Limited, Manchester, England; (40); 9353, 1st February.

Redio Company, Limited, London, England; (50); 9489, 22nd March; 28, 6th April.

Reeves, W., Henderson, New Zealand; (50); 9330, 21st January.

Reeves, W., Henderson, New Zealand; (13); 9397, 18th February; 28, 6th April.

Ridgway Society, Sydney, New South Wales, and elsewhere; (3); 9380, 15th February; 33, 20th April.

Riedel, J. D., Actiengesellschaft, Berlin; (3); 9419, 1st March; 18, 9th March.

Riedel, J. D., Actiengesellschaft, Berlin; (3); 9420, 1st March; 23, 23rd March.

Roberts and Co. (see H. N. Backhouse).

Rooke, Tompsitt, and Co., Melbourne, Victoria; (3); 9281, 29th December, 1910; 7, 26th January.

Rose, W., Hose Company, Limited, Salford, England; (50); 9398, 22nd February; 18, 9th March.

APPLICANTS FOR REGISTRATION OF TRADE MARKS—*contd.*

- Ross, W. A., and Sons, Limited, Belfast, Ireland; (44); 9399, 22nd February; 18, 9th March.
- Rouse and Hurrell Carriage Building Company, Limited, Wellington, New Zealand; (47); 9295, 11th January; 7, 26th January.
- Sandorides, W., and Co., Limited, London, England; (45); 9335, 24th January; 12, 9th February.
- "Sarotti" Chokoladen- and Cacao-Industrie Aktiengesellschaft, Berlin, Germany; (42); 9374, 13th February; 18, 9th March.
- Saxone Shoe Company, Limited, Kilmarnock, Scotland; (38); 9383, 9384, 17th February.
- Schulz, K., jun., Aktiengesellschaft, Leipzig, Germany; (50); 9311, 17th January.
- Scout Packing Company (see W. H. Steele).
- Sealy, T., New York, United States America; (4); 9477, 15th March.
- Société Allmänna Svenska de Electricidad (see Allmänna Svenska Elektriska Aktiebolaget).
- Société Anonyme des Mines et Fonderies de Zinc de la Vieille Montagne, Angleur, Belgium; (5); 9392, 9394, 9395; 17th February; 18, 9th March.
- Société Anonyme des Mines et Fonderies de Zinc de la Vieille Montagne, Angleur, Belgium; (5); 9393, 17th February.
- Société Générale des Eaux Minérales de Vittel, Vittel, France; (44); 9385, 9386, 17th February; 18, 9th March.
- Soppet, W. H., Whangaroa, New Zealand; (50); 9193, 1st December, 1910; 7, 26th January.
- Standard Earth Auger Company, Chicago, United States America; (13); 9247, 19th December, 1910; 2, 12th January.
- Stevens, H. F., Christchurch, New Zealand; (43); 9109, 19th October, 1910; 2, 12th January.
- Stevens, H. F., Christchurch, New Zealand; (44); 9110, 19th October, 1910; 7, 26th January.
- Stevens, H. F., Christchurch, New Zealand; (48); 9111, 19th October, 1910; 12, 9th February.
- Steele, W. H., "Scout Packing Company," Dunedin, New Zealand; (42); 9325, 18th January; 12, 9th February.
- Strathmann and Joachim, Leipzig, Germany; (47); 9496, 23rd March; 33, 20th April.
- Swan, J. G., and others, "Kilcal Noxious Weeds Company," Wanganui, New Zealand; (2); 9348, 31st January; 37, 4th May.
- Swift, F. G., "Swift and Co," Sydney, New South Wales; (47); 9301, 12th January; 7, 26th January.
- Swift and Co. (see F. G. Swift).
- Thomson Bridger and Co., Limited, Dunedin, New Zealand; (50); 9429, 3rd March; 18, 9th March.
- Thomson, Lewis, and Co., Wellington, New Zealand; (44); 9513, 9514, 29th March; 28, 6th April.
- Thomson, M. C., and Co., Limited, Glasgow, Scotland; (27); 9346, 30th January; 23, 23rd March.
- Thomson, W. S., and Co., Limited, London, England; (38); 9244, 15th December, 1910; 2, 12th January.
- Tower, A. J., and Co., Boston, United States America; (38); 9508, 9509, 9510, 28th March.
- Triggs, P. C., "The I X L Washing-powder Company," Christchurch, New Zealand; (47); 9257, 23rd December, 1910; 7, 26th January.
- Trythall and Heath, Cambridge, New Zealand; (42); 9503, 27th March.
- Turnbull and Jones, Limited, Christchurch, New Zealand; (11); 9362, 2nd February; 15, 23rd February.
- Turney, J. G., and Son (see J. Criper).
- Union Electric Company of Australia, Limited, Sydney, New South Wales; (13); 9320, 18th January; 12, 9th February.

APPLICANTS FOR REGISTRATION OF TRADE MARKS—*contd.*

- Vanda Company, New York, United States America; (50); 9435, 7th March; 23, 23rd March.
- Varcoe, A. F., Invercargill, New Zealand; (19); 9344, 26th January; 23, 23rd March.
- Vincent, S., Christchurch, New Zealand; (3); 9478, 16th March.
- Vincent, S., Christchurch, New Zealand; (48); 9479, 16th March; 28, 6th April.
- Vincent, S., Christchurch, New Zealand; (3); 9495, 22nd March; 37, 4th May.
- Vincent, S., Christchurch, New Zealand; (3); 9501, 27th March; 33, 20th April.
- Vincent, S., Christchurch, New Zealand; (3); 9502, 27th March; 28, 6th April.
- Wallace, Scott, and Co., Limited, Glasgow, Scotland; (34); 9465, 9467, 9469, 9470, 14th March.
- Wallace, Scott, and Co., Limited, Glasgow, Scotland; (38); 9466, 9468, 9471, 9472, 14th March; 23, 23rd March.
- Wallet and Finlayson's Auckland Bedstead Company, Limited, Auckland, New Zealand; (41); 9428, 2nd March; 28, 6th April.
- Watson, J. E., and Co., Limited, Invercargill, New Zealand; (2); 9461, 13th March; 33, 20th April.
- Wellcome, H. S., "Burroughs, Wellcome, and Co.," London, England; (3), (42); 9117, 9118, 25th October, 1910; 18, 9th March.
- Wellington Woollen Manufacturing Company, Limited, Wellington, New Zealand; (38); 9373, 10th February; 15, 23rd February.
- Western Counties Creameries, Limited (see Aplin and Barrett).
- White, W. W., and Co., Limited, Sydney, New South Wales; (42); 9323, 19th January; 18, 9th March.
- White, W. W., and Co., Limited, Sydney, New South Wales; (42); 9324, 19th January; 12, 9th February.
- Wilson, R., and Co., Limited, Dunedin, New Zealand; (42); 9228, 9th December, 1910; 12, 9th February.
- Yawman and Erbe Manufacturing Company, Rochester, United States America; (39); 9433, 4th March.

Alphabetical List of Applicants for Registration of Designs.

ALPHABETICAL list of applicants for registration of designs for the quarter ended 31st March, 1911. The numbers in parentheses are those of the classes, the next number and date are those of the application, and the final number and date those of the *Gazette*.

- Canterbury Wire-working Company, Limited, Christchurch, New Zealand; (1); 546, 24th January; 12, 9th February.
- Fisher, W., Morven, New Zealand; (4); 552, 9th February; 18, 9th March.
- Gramophone Company, Limited; London, England; (3); 555, 556, 557, 29th March; 33, 20th April.
- Gutschlag, F., Maitland, New Zealand; (3); 553, 24th January; 23, 23rd March.
- Irvine and Stevenson's St. George Company, Limited, Dunedin, New Zealand; (4); 548, 549, 550, 551, 27th January; 18, 9th March.
- Quane, J. J. C., Blenheim, New Zealand; (1); 547, 4th February; 15, 23rd February.
- Schlaadt, H., Dunedin, New Zealand; (1); 554, 17th January; 28, 6th April.